

# Dynapac SD2500CS

Large pavers



## Technical data



### Masses

Weight (incl. standard screed)	18.50 t
--------------------------------	---------



### Dimensions

Basic width	2.55 m
Working width, minimum (with reducing shoe)	2.05 m
Front ramp angle	15°
Working width, max.	10 m



### Capacity

Placement thickness (max)	310 mm
Theoretical placement capacity	800 t/h



### Material hopper

Capacity	6.0 m <sup>3</sup>
Dumping height (center/outside)	555 mm /560 mm
Hopper width, internal	3.29 m



### Traction

Maximum paving speed	28 m/min
Transport speed	4.0 km/h



### Engine

Manufacturer/Model	Cummins QSB6.7-C190
Emissions according to	Stage IIIA (Tier 3)
Rated power, SAE J1995	142 kW @ 2200 rpm
Electrical system	24 V
Fuel tank capacity	350 l



### Engine

Manufacturer/Model	Cummins QSB6.7-C200
Emissions according to	Stage IV (Tier 4f)
Rated power, SAE J1995	149 kW @ 2200 rpm
Electrical system	24 V
Fuel tank capacity	350 l



### Undercarriage

Crawler length	2.90 m
Crawler width	320 mm
Final drive	Hydrostatic final drives with hydraulic motors and planetary gear box



### Conveyor

Conveyor type	Dual bar feeder
Conveyor control	Automatic with limit switches
Conveyor width	2 x 655 mm

Find us locally at [www.dynapac.com](http://www.dynapac.com)

We reserve the right to change specifications without notice. Photos and illustrations do not always show standard versions of machines. The above information is a general description only, all informations are supplied without liability.

Auger	
Auger diameter	380 mm
Auger control	Automatic with ultrasonic sensors

Find us locally at [www.dynapac.com](http://www.dynapac.com)

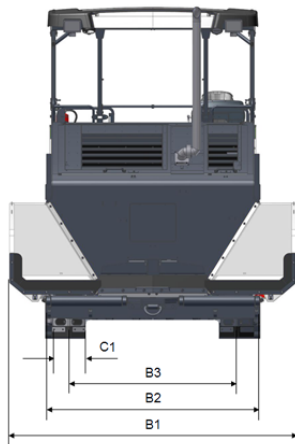
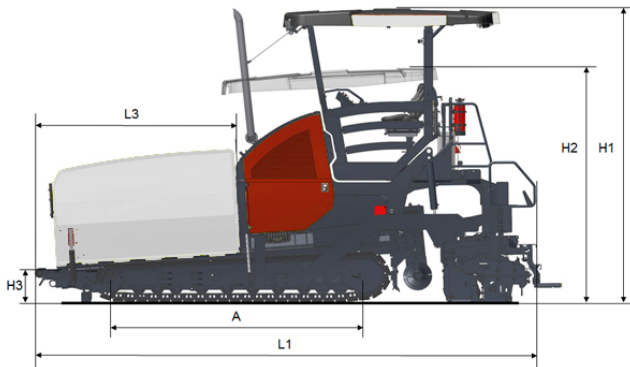
We reserve the right to change specifications without notice. Photos and illustrations do not always show standard versions of machines.  
The above information is a general description only, all informations are supplied without liability.

# Dynapac SD2500CS

Large pavers



## Technical data



Dimensions	
A. Axle track	2.90 m
B1. Width, max.	3.40 m
B2. Width, standard	2.55 m
B3. Width, center of tracks	1.99 m
C1. Track width	0.32 m
H1. Height, max.	3.90 m
H2. Height, transport	3.10 m
H3. Height	0.49 m
L1. Length	6.15 m
L3. Length, hopper	2.12 m

Suitable screeds					
Model	Basic width	Working width, hydraulic extendable	Working width, max.	Compacting elements	Heating system
Dynapac V6000TV	3.00 m	6.00 m	9.70 m	Vertical impact tamper/Vibration	Propane (LPG)
Dynapac V5100TV	2.55 m	5.10 m	8.80 m	Vertical impact tamper/Vibration	Propane (LPG)
Dynapac V5100TVH	2.55 m	5.10 m	8.10 m	Vertical impact tamper /Vibration and secondary compactor	Electrical
Dynapac V5100TVE	2.55 m	5.10 m	8.80 m	Vertical impact tamper /Vibration	Electrical
Dynapac V6000TVH	3.00 m	6.00 m	9.00 m	Vertical impact tamper /Vibration and secondary compactor	Electrical
Dynapac R300TVE	3.00 m	N/A	14.00 m	Vertical impact tamper/Vibration	Electrical
Dynapac V6000TVE	3.00 m	6.00 m	9.70 m	Vertical impact tamper/Vibration	Electrical
Dynapac R300TV	3.00 m	N/A	14.00 m	Vertical stroke tamper /Vibration	Propane (LPG)

Find us locally at [www.dynapac.com](http://www.dynapac.com)

We reserve the right to change specifications without notice. Photos and illustrations do not always show standard versions of machines. The above information is a general description only, all informations are supplied without liability.