

# TransCon-eL2 Electric Model HTSBEL



## Rugged.... Durable.... Harlan



### Standard Features

**High Efficiency AC Motor allows for longer duty cycles between charges**

**AC Pump Motor**

**Keyless or Keyed master Switch**

**Two LED Headlights and turn signals**

**Combination LED Tail/Stop Light & Back-up**

**Light Safety kill switch on driver's seat**

**Electric Actuated Park Brake**

**High Visibility Screen Display**

**Fwd & Rvs Inching**

**Standard Driver and Passenger seat**

**Retractable Seatbelts**

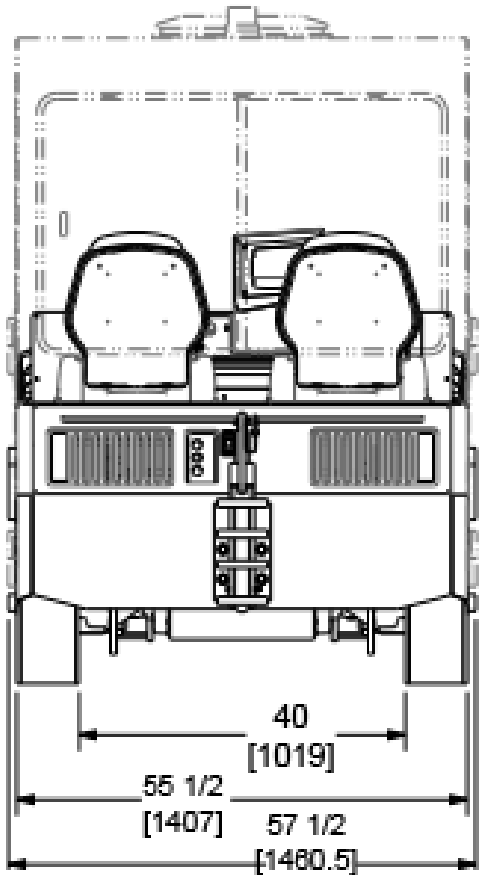
**Rear Mount E-Hitch**

The Lithium market is growing and Harlan is growing with it as proven with the NEWLY DESIGNED Harlan Model HTHVEL Lithium-ion powered baggage/cargo tractor. Harlan has listened to our customers over the years and we designed this model with their input in mind - such as Ergonomics -(a more comfortable ride), Enhanced Visibility -(less blind spots), Dash Display - Easier to see (larger screen, more color), Password Accessible - (for mechanics to diagnose faults on the screen). And these are just a few of the features!

Some options will include complete cab assembly, heat/defrost, mirrors, beacons, Telemetry systems, tilt steering and variety of hitches and suspension style seats.



# Specifications



## Length

108.75" (2762mm)  
w/ rear hitch: 118.25" (3003mm)

## Width

57.5" (1460.5 mm)

## Height:

38.25" (971 MM)  
w/ Cab 79.75" (2023 mm)

## Base

60" (1525 mm)

## Ground Clearance

9 1/4" (234 mm)

## Integrated Drive Axle

Fully integrated with AC Induction Motor

## Steer Axle

Heavy-Duty Dual Shaft with two tapered roller bearings

## Towing Coupler

E-Hitch w/ 1" pin  
(other options available)

## Tires

Front: 165/R13

Back: 7.00/R12

## Controller

Curtis Programmable

## Energy Source

80V Lithium-ion

## Charging Options

-On Board charger

-EV Interface (used w/ on board)

-Fast Charger connection set-up

## Steering System

Hydrostatic

## Suspension

Front: Leaf spring

Rear: Coil spring w/ Shocks

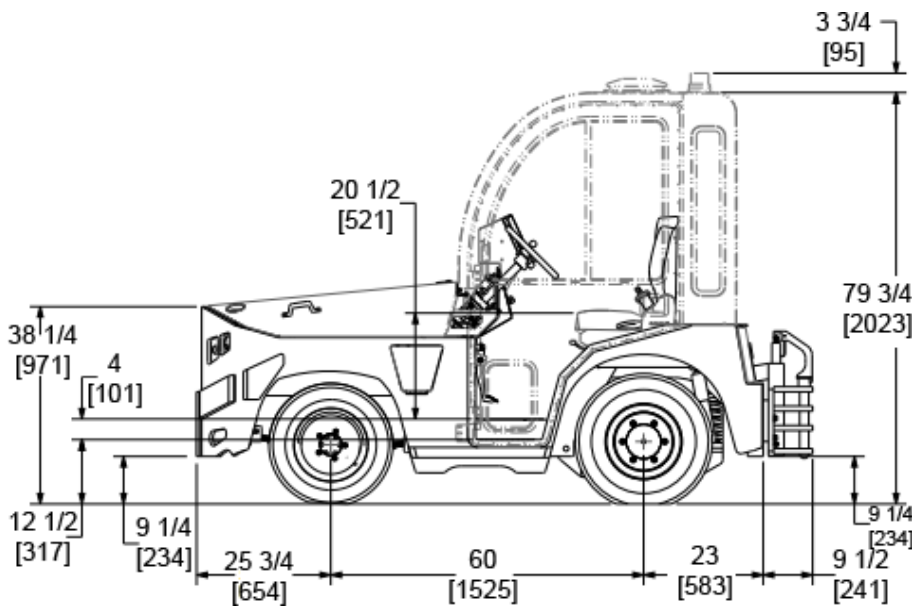
## Service Brakes

Primary: 4-Wheel Hydraulic

Secondary: Traction motor braking with regen

## Park Brake

Electrically actuated



## DRAW BAR PULL

HTHVEL40

HTHVEL50

HTHVEL60

4,000 lbs. (17.8N)

5,000 lbs. (22.2kN)

6,000 lbs. (26.7kN)

