

All Purpose Vehicle Model HTSBAPV



Rugged... Durable... Harlan



The Harlan Model HTSBAPV is available with the latest model US/Euro Emission compliant engines.

Designed as a multi-purpose vehicle for cargo and maintenance. The rear bed can be customized to fit your maintenance needs and its versatility lends itself to be used for baggage applications.

Options such as inverters to power 110 and 12V outlets, oiler systems for aircraft, beacons, hitches and suspension style seats are also available.

Standard Features

Cab w/metal doors, rearview mirror, dome light

F-N-R Shifter

Keyless anti-restart ignition switch

Two LED Headlights

Combination LED Tail/Stop lights and Back-up light

74"(1879mm) Diamond plate flat bed with rails

LCD Display for Hours, Fuel level, Oil Pressure, Water temp (display varies on diesel and gas)

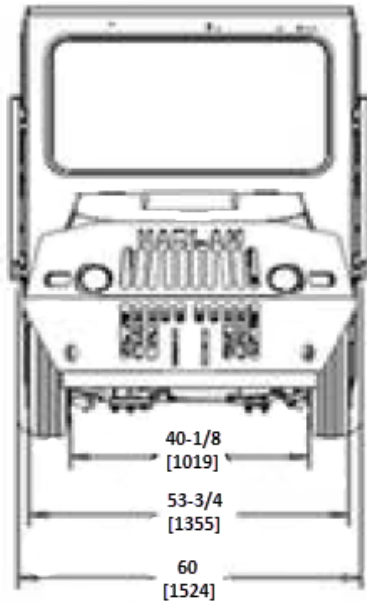
Electric Park Brake (electrically actuated on drum)

Standard Driver and Passenger seat

Retractable Seatbelts



Specifications



Length

177.25" (4502.8 mm)

w/ rear hitch: 182" (4623 mm)

Width

60" (1524 mm)

Height

56 3/8" (1442 mm)

w/ Cab 78 3/16" (1987 mm)

Wheel Base

105 15/16" (2691 mm)

Ground Clearance

6" (152 mm)

Drive Axle

Harlan Off-set—7000 lbs.

(3175 kg) Load Capacity

Steer Axle

Heavy-Duty Harlan

Towing Coupler

E-Hitch with 1" pin (other hitch options available)

Tires

Front: 165/R13

Back: LT225/75R16

Engine

Latest Model US/Euro Emission Diesel, Gasoline LPG

Transmission

Automatic Industrial

Electrical

12V System

Cooling

Liquid cooled radiator with Integrated transmission cooler

Steering System

Hydrostatic

Service Brakes

Hydraulic/ Hydraulic, Front and rear single disc brakes

Suspension

Front: Leaf Springs

Rear: Shocks and Coil Springs

Park Brake

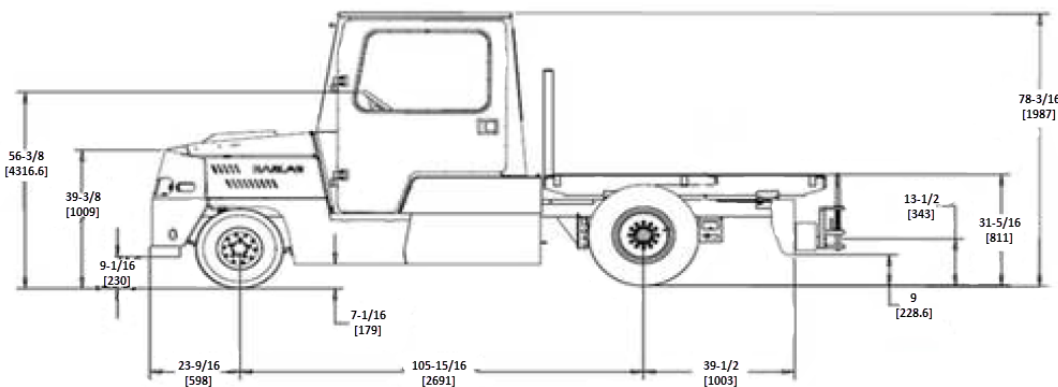
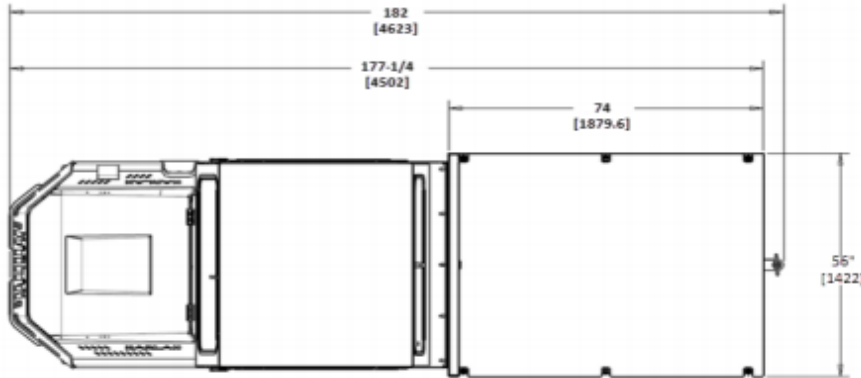
Mechanical drum, level activated

Bed Length

74" (1879.6mm)

Bed Width

56" (1422 mm)



27 Stanley Rd. Kansas City KS, 66115 USA 913.342.5650

telephone 800.255.4262 toll-free US 913.321.5802 FAX

Specifications are subject to improvement and/or change without notice