

SKID LOADERS

GEHL

1640E | 3640E | R135 | R150 | R165 | R190 | R220 | R260 | V270 GEN:2 | V330 GEN:2 | V400





IN 1859, AN AGRICULTURAL IMPLEMENT COMPANY, HOUSED IN A BLACKSMITH SHOP, WAS STARTED IN WEST BEND, WISCONSIN. FROM THESE HUMBLE BEGINNINGS, THE GEHL BRAND HAS BECOME A MAJOR FORCE IN THE COMPACT EQUIPMENT INDUSTRY WORLDWIDE.

Since the beginning, Gehl has focused on providing solutions to our customer's needs by building quality, reliable products. With a long history of reliability and innovation, Gehl is responsive to the equipment and service needs of our customers.

With modern compact equipment manufacturing facilities in Yankton and Madison, South Dakota, and a state-of-the-art research and design facility in West Bend, Wisconsin, Gehl ensures that they are equipped with the finest in technology, tools and materials. And our top corps of engineers are skilled in designing and enhancing high-quality machines to fit the specific needs of our customers. Our equipment is modern in design and performance, but not too complicated to operate or service.

And when you purchase a piece of Gehl equipment, you have an entire organization behind you and your business. When you need support, whether it be financing, parts or service, know that Gehl will be there to provide an exceptional experience. We continually strive to preserve the level of personalized attention that Gehl began with in 1859.

DRIVEN TOWARDS EXCELLENCE

GEHL IS CONTINUOUSLY STRIVING TO GO BEYOND MARKET EXPECTATIONS.

Paired with performance features, ergonomics, a multitude of attachments and over 40 years of skid loader engineering, Gehl proudly offers 11 skid loader models that fit the needs of every user.

RADIAL-LIFT



VERTICAL-LIFT



OVER 40 YEARS OF EVOLUTION

GEHL

● RADIAL-LIFT and ● VERTICAL-LIFT

TWO DESIGNS - ENDLESS POSSIBILITIES

● **RADIAL-LIFT DESIGN**

Offers enhanced performance in excavating, grading and digging below grade applications. Due to the radial lift path, the maximum reach is greater at the middle of the lift height.

● **POWerview® BOOM**

Low-profile boom design offers optimal side-to-side visibility.



● **DURABLE BUILD**

4.5" (114 mm) width lift arm construction delivers superior strength and rigidity.

lift heights from 96" (2438 mm) to 123" (3124 mm)



● **EXCELLENT FORWARD REACH**

The Gehl radial-lift skid loaders provide excellent forward reach at the middle of the lift path. This provides excellent performance for loading flatbed trucks, backfilling or dumping over a wall.

● **VERTICAL-LIFT DESIGN**

Providing more reach at full lift height is optimal for applications that require loading and stacking at high heights. By keeping the load closer to the machine, lift capacities are increased over radial-lift models.

● **SINGLE-PLANE LIFT ARM**

Design features large diameter pivot pins aligned in a single plane for best-in-class vertical/lateral strength and rigidity.



● **CLEAR SIGHT LINES**

Low-profile lift arm design provides outstanding forward and side visibility.

lift heights from 130.3" (3310 mm) to 144" (3647 mm)

● **X-TYPE (V270 GEN:2/ V330 GEN:2)**

Upper-rear channel support welded to the top and between the load arms provides added rigidity without obstructing rear visibility.



● **TRUE VERTICAL**

The V400 has a true vertical lift path, while the V270 GEN:2 and V330 GEN:2 have a near vertical path.



● POWER and ● PERFORMANCE

COMPACT AND MANEUVERABLE



● IDEAL FOR SMALL, CRAMPED WORK SPACES

● COUNTERWEIGHT / BUMPER

An optional counterweight on the 3640E boosts the maximum capacity to 1,175 lbs. (553 kg) and adds additional rear protection.



● OPERATING CAPACITY

1640E	850 lbs. (386 kg)
3640E	1,050 lbs. (476 kg)

● LIFT HEIGHT

1640E	96" (2438 mm)
3640E	108.1" (2746 mm)

● EASY TRANSPORT

With an overall machine weight of less than 3,000 lbs. (1361 kg) on the 1640E, this skid loader can be loaded onto a small truck or trailer, reducing shipping costs.



● LOW OVERALL HEIGHT

Gain access to low clearance sites and buildings with an overall height of 74.7" (1897 mm) on the 1640E and 70.3" (1786 mm) on the 3640E.

1640E shown



● NARROW WIDTH

Tire options provide widths as narrow as 36" (914 mm) on the 1640E and 47" (1194 mm) on the 3640E.



● INTERIM TIER IV YANMAR ENGINE

1640E	24 hp (17.9 kW)	68 ft.-lbs (86 Nm)
3640E	35 hp (26 kW)	80 ft.-lbs (108 Nm)



ALL-NEW!

● POWER and ● PERFORMANCE

NEW SKIDS ON THE BLOCK



● **LIFT HEIGHT**

R135	109.6" (2784 mm)
R150	119" (3023 mm)
R165	119" (3023 mm)

● **DURABLE CYLINDERS**

Induction-hardened, chrome-plated rods are used for lift and tilt cylinders, adding durability.

● **INTRODUCING R150**

THE 1,500 LBS. (680 KG) CAPACITY SKID LOADER FROM GEHL



● **EXPANSIVE VIEWS FROM THE CAB**

● **SELECTABLE SELF-LEVELING**

This option keeps the bucket level throughout the raise/lift cycle and can be turned on and off by a switch in the cab.

● **OPERATING CAPACITY**

R135	1,350 lbs. (612 kg)
R150	1,500 lbs. (680 kg)
R165	1,650 lbs. (748 kg)

● **TIER IV YANMAR ENGINES**

Utilizing automatic regeneration and no fuel additives, these machines provide clean emissions with little to no input from the operator.

R135	46.3 hp (34.5 kW)	107.8 ft.-lbs (146 Nm)
R150	46.3 hp (34.5 kW)	107.8 ft.-lbs (146 Nm)
R165	69.9 hp (52 kW)	178 ft.-lbs (241 Nm)



● **COUNTERWEIGHTS/BUMPER**

Optional counterweights bump up the maximum capacity for your operations and add additional rear protection.

R135	1,500 lbs. (680 kg)
R150	1,650 lbs. (748 kg)
R165	1,800 lbs. (816.5 kg)

● **LEVEL II FOPS**

Robust operator station provides added protection for the operator.

● **DIGITAL COLOR DISPLAY**

This information center shows real time fuel consumption, engine RPM's, machine hours, engine diagnostic codes, warning indicators and much more.



● **AUTOMATIC DOME LIGHT**

● **LOW PROFILE LIFT ARM**

New lift arm increases the width between cylinders for better entry and sight lines.

● **HYDRAULICS**

Flow rates deliver up to 18.9 gpm (71.4 L/min) on the R165. Connect-under-pressure auxiliary hydraulic couplers are within reach at the forefront of the left lift arm.

● **CAB-FORWARD DESIGN**

Large front opening provides class-leading visibility.

● **EASY-ENTRY CHASSIS**

Getting in and out of the cab is effortless with a lowered, non-slip step.

GEHL

● POWER and ● PERFORMANCE

FULL POWER ON DEMAND



- **OPERATING CAPACITY**
R190 1,900 lbs. (862 kg)
R220 2,200 lbs. (998 kg)
R260 2,600 lbs. (1179 kg)

- **LEVEL II FOPS**
Robust operator station provides added protection for the operator.
- **CAB-FORWARD DESIGN**
Large front opening provides class-leading visibility.

- **RADIAL-PISTON DRIVE MOTORS**
High-torque motors with excellent tractive effort.

- **LIFT HEIGHT**
R190 120.5" (3061 mm)
R220 123" (3124 mm)
R260 123" (3124 mm)

- **SELECTABLE SELF-LEVELING**
This option keeps the bucket level throughout the raise/lift cycle and can be turned on and off by a switch in the cab.



- **COUNTERWEIGHTS/BUMPER**
Optional counterweights expand the possibilities of your operation and add additional rear protection.
R190 2,110 lbs. (957 kg)
R220 2,370 lbs. (1075 kg)
R260 2,780 lbs. (1261 kg)

- **TIER IV YANMAR ENGINES**
Utilizing automatic regeneration and no fuel additives, these machines provide clean emissions with little to no input from the operator.
R190 69.3 hp (51.7 kW) 178 ft.-lbs (241 Nm)
R220 72 hp (53.7 kW) 217 ft.-lbs (294 Nm)
R260 72 hp (53.7 kW) 217 ft.-lbs (294 Nm)



- **BETWEEN-THE-TIRE**
design keeps machine length short and compact. *On the R190*



- **OVER-THE-TIRE**
design provides wider access and improved visibility. *On the R220 and R260*



- **ENCLOSED, PRESSURIZED CAB WITH HEAT AND A/C** *Optional*
- **FRONT & REAR WORK LIGHTS**
- **FOUR CONTROL OPTIONS**

- **LONG WHEELBASE**
Long wheelbase provides a smoother ride and a lower center of gravity for added stability.
R190 42" (1067 mm)
R220 43" (1092 mm)
R260 49.5" (1257 mm)

- **POWerview® LIFT ARM**
- **HIGH-FLOW AUXILIARY HYDRAULICS** *Optional*

● POWER and ● PERFORMANCE

P U S H T H E V E R T I C A L L I M I T

● TIER IV YANMAR ENGINES

Utilizing automatic regeneration and no fuel additives, these machines provide clean emissions with little to no input from the operator.

V270 GEN:2	72 hp (53.7 kW)	217 ft.-lbs (294 Nm)
V330 GEN:2	72 hp (53.7 kW)	217 ft.-lbs (294 Nm)

● LIFT HEIGHT

V270 GEN:2	130.3" (3310 mm)
V330 GEN:2	131.2" (3332 mm)
V400	143.6" (3647 mm)

● SMOOTH OPERATOR

Hydraglide™ ride control system allows the lift arm to "float" when transporting loads, minimizing loss of material and increasing operator comfort.

Standard on V330 GEN:2 and V400. Optional on V270 GEN:2.

● OPERATING CAPACITY

V270 GEN:2	2,700 lbs. (1225 kg)
V330 GEN:2	3,300 lbs. (1497 kg)
V400	4,000 lbs. (1814 kg)



● LONG WHEELBASE

Long wheelbase provides a smoother ride and a lower center of gravity for added stability.

V270 GEN:2	49.5" (1257 mm)
V330 GEN:2	49.5" (1257 mm)
V400	54.6" (1387 mm)

● SELECTABLE SELF-LEVELING

This option keeps the bucket level throughout the raise/lift cycle and can be turned on and off by a switch in the cab.

Standard on V400. Optional on V270 GEN:2 and V330 GEN:2.

● LEVEL II FOPS

Standard robust operator station provides added protection for the operator.

● SOFT-SHIFT DRIVE

This feature on the V270 GEN:2 and V330 GEN:2 two-speed-equipped models provides for smooth transition between low and high speeds.

● HIGH EFFICIENCY

Hydrostatic transmission with direct engine coupling provides high operating efficiency.

● CAB-FORWARD DESIGN

State-of-the-art, fully-adjustable operator's cab features unsurpassed ergonomics, excellent visibility and customized comfort.

WORLD'S
LARGEST
SKID LOADER

● TRUE VERTICAL

The V400 has a true vertical lift path, while the V270 GEN:2 and V330 GEN:2 have a near vertical path.

● TIER III CUMMINS ENGINE

V400	99 hp (74 kW)	326 ft.-lbs (442 Nm)
------	---------------	----------------------



COMFORT and SAFETY

SOUND REDUCTION MATERIAL

MULTIPLE AIR VENTS

Six adjustable vents throughout the cab provide optimal temperature control.

ADJUSTABLE SEAT

PADDED, ADJUSTABLE ARMRESTS

OPERATOR PRESENCE

The machine safety system allows operation only when the user is on the seat and the restraint bar is lowered into position.

2" (51 mm) SEATBELT

Optional 3" (76 mm) seatbelt available.

ADJUSTABLE CONTROL TOWERS

Towers extend and retract to provide personalized comfort.

CUP HOLDER

Large-frame R Series and Vertical-Lift models' cab shown

PRESSURIZED CAB

An optional pressurized, sealed cab enclosure provides a cleaner, quieter operating environment.

EASY ENTRY AND EXIT

Large entry area allows for easy access to the operator station.

VISIBILITY

Wide opening in the front of the machine and large screen windows provide high visibility for increased safety and precise placement.



R135 - R150 - R165



3640E

CONTROL OPTIONS*



HAND / FOOT



T-BAR



DUAL-HAND



JOYSTICK

*Select control options are available for each model

CHOOSE YOUR RIDE

A high-back, five-way adjustable seat comes as standard. Optional air-ride suspension seat or mechanical suspension seat provide enhanced comfort.



OPERATOR STATION COMFORT FEATURES



CLIMATE CONTROL

Heat is standard on all cab models. Air conditioning is an option on select models.



POWER PORT

12-volt accessory plug keeps your devices fully charged. Standard equipment

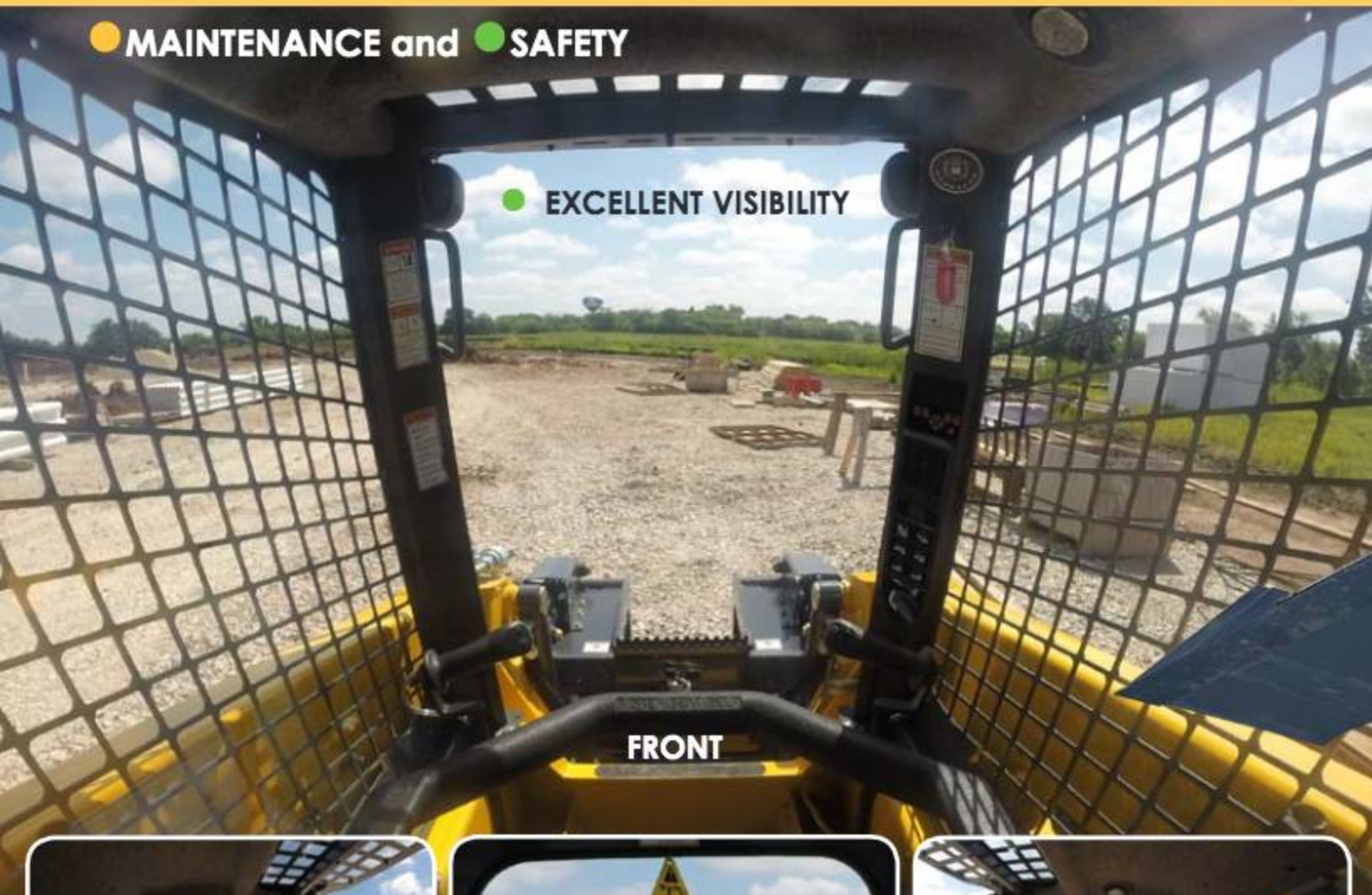


RADIO OPTION

Factory installed, this radio option customizes your cab.

Refer to Page 24 for standard / optional features for each model

● MAINTENANCE and ● SAFETY



● EXCELLENT VISIBILITY

FRONT



LEFT SIDE



REAR



RIGHT SIDE

EXCELLENT VIEWS FROM ALL SIDES FOR SAFE AND PRECISE OPERATION.

Excellent visibility to the front, sides and rear of the machine allow for precise placement of loads and reduced jobsite incidents. A high-mounted seat provides an excellent vantage point to the attachment and cutting-edge.

LESS DOWNTIME PUTS MONEY IN YOUR POCKET

● **SWING-OUT COOLER** Swing-out design provides improved access to the engine bay area.
Available on select models

● **SAFETY RESTRAINTS** Innovative restraints allow for secure positioning of the lift arm and cab in maintenance positions. Restraints can be secured in position by one person.



R135 shown

● **SWING-OUT REAR DOOR** Rear door easily opens on hinges, allowing full access to filters and fluid reservoirs for servicing and maintenance.

● **LARGE ENGINE COVER** Cover is hinged and positioned by gas-springs to assist lifting and holding in place, and allows for easy return to closed position.

● **TILTABLE ROPS/FOPS ASSEMBLY** with gas-spring assist for easy internal access to the pumps, hydraulic valve bank and drive motors.

● **FRONT CHASSIS CLEANOUT** Removable plate for easy cleanout of the foot area inside the ROPS/FOPS.



● PERFORMANCE and ● VERSATILITY

● **SELECTABLE SELF-LEVELING HYDRAULIC LIFT ACTION** keeps the bucket level throughout the raise/lift cycle.

Available on select models

● **ELECTRONIC ATTACHMENT CONTROL OPTION - 14 PIN CONNECTOR**
This factory-installed add-on allows for convenient control of all attachments.



● **PRECISE CONTROL**

Standard proportional auxiliary hydraulic control gives the operator the ability to adjust attachment speeds with infinitely adjustable flow control.*

Standard auxiliary detent (at full flow) allows the operator to set the hydraulic flow for continuous operation.*

**Available on select models*

● **STANDARD AUXILIARY HYDRAULIC FLOW RATES**

1640E	10.1 gpm (38.2 L/min)	R135	17 gpm (64.4 L/min)	R190	18.5 gpm (70 L/min)	V270 GEN:2	23.5 gpm (89 L/min)
3640E	14.5 gpm (55 L/min)	R150	17 gpm (64.4 L/min)	R220	23.5 gpm (89 L/min)	V330 GEN:2	23.5 gpm (89 L/min)
		R165	18.9 gpm (71.4 L/min)	R260	23.5 gpm (89 L/min)	V400	32 gpm (121 L/min)



ALL-TACH®

All models feature the easy-to-use All-Tach® (universal-style) attachment mounting system compatible with most allied attachments.

- **SINGLE LEVER DESIGN** for simplicity and strength.
- **HEAVY DUTY MOUNTING PLATE** design for increased rigidity over tube style.



POWER-A-TACH®

Hydraulic Power-A-Tach® all-weather system option allows users to quickly install and remove attachments. An operator leaves the seat only to connect auxiliary hydraulics. This system is compatible with most allied attachments.



Scan this code to learn more about EDGE® Skid Loader attachments.

ceattachments.com

EDGE®

With a wide variety of EDGE® attachments available, Gehl Skid Loaders are easily transformed to meet your projects' needs.

PALLET FORKS



ROCK BUCKET



TRENCHER



RAKE



SNOW REMOVAL



AUGER



STUMP GRINDER



ROTARY BRUSH MOWER



MOWER



GRAPPLE BUCKET



GRADER BLADE



SWEEPER



CUSTOMIZE YOUR RIDE.

Gehl offers a variety of accessories and upgrades that can be easily added to new or used equipment. These can help enhance an existing unit or customize one for a particular job. Whether you are looking to add a counterweight, boost your hydraulics, or enclose a cab to add heat and air conditioning, Gehl has the options you need to craft your ideal ride.

TIRE OPTIONS



CAB ENCLOSURES



HYDRAGLIDE™



CONTROLS



BEACON



RADIO



AIR CONDITIONING



HIGH-FLOW HYDRAULICS



TWO-SPEED DRIVE



POWER-A-TACH®



COUNTERWEIGHT



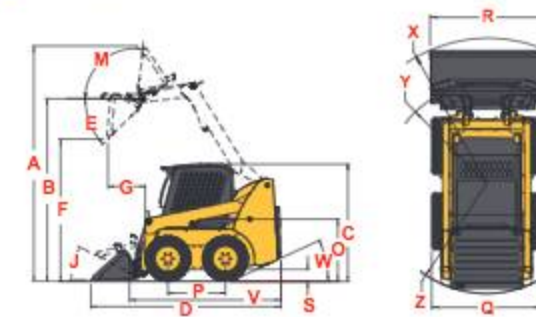
BACK-UP ALARM



		SMALL-FRAME RADIAL		MID-FRAME RADIAL			LARGE-FRAME RADIAL			LARGE-FRAME VERTICAL			
		1640E	3640E	R135	R150	R165	R190	R220	R260	V270 GEN:2	V330 GEN:2	V400	
DIMENSIONS	A. Overall Operating Height - Fully Raised (mm)	124.7" (3167)	139.6" (3546)	143.9" (3655)	152.6" (3876)	152.6" (3876)	158" (4013)	161" (4089)	161" (4089)	167.4" (4252)	172" (4369)	186.8" (4745)	
	B. Height to Hinge Pin - Fully Raised (mm)	96" (2438)	108.1" (2746)	109.6" (2784)	119" (3023)	119" (3023)	120.5" (3061)	123" (3124)	123" (3124)	130.3" (3310)	131.2" (3332)	143.6" (3647)	
	C. Overall Height to Top of ROPS (mm)	74.7" (1897)	70.3" (1786)	75.1" (1908)	76.7" (1948)	76.7" (1948)	80" (2032)	81" (2057)	81" (2057)	81" (2057)	82" (2083)	82" (2083)	
	D. Overall Length with Bucket (mm)	101.4" (2576) w/36" Bucket	114" (2896) w/55" Bucket	120.3" (3056) w/54" Bucket	122.1" (3101) w/61.5" Bucket	122.1" (3101) w/61.5" Bucket	127" (3226) w/66" Bucket	136.5" (3467) w/70" Bucket	143" (3632) w/70" Bucket	148" (3759) w/70" Bucket	162.5 (3874) w/74" Bucket	158.5" (4026) w/94" Bucket	
	E. Dump Angle at Full Height	46°	42°	40°	38°	38°	42°	40°	40°	42°	42°	31°	
	F. Dump Height (mm)	72.3" (1836)	84.5" (2146)	82.6" (2098)	93.7" (2380)	93.7" (2380)	91" (2311)	94" (2388)	94" (2388)	100" (2540)	98.5" (2502)	114.8" (2916)	
	G. Dump Reach at Full Height (mm)	14.8" (376)	22.8" (579)	22.7" (577)	22.8" (579)	22.8" (579)	22.5" (572)	27" (686)	27" (686)	32" (813)	32" (813)	39.5" (1003)	
	J. Rollback at Ground	23°	29°	29°	28°	28°	26°	28°	28°	29°	29°	31°	
	M. Rollback Angle at Full Height	100°	99°	82°	99°	99°	96°	95°	95°	94°	94°	100°	
	O. Seat to Ground Height (mm)	34.6" (879)	32.6" (828)	33.3" (846)	35.6" (904)	35.6" (904)	39" (991)	40" (1016)	40" (1016)	40" (1016)	41" (1041)	41.2" (1046)	
	P. Wheelbase (mm)	30.5" (775)	34.5" (876)	37.6" (955)	38.9" (988)	38.9" (988)	42" (1067)	43" (1092)	49.5" (1257)	49.5" (1257)	49.5" (1257)	54.6" (1387)	
	Q. Overall Width - Less Bucket * (mm)	35.8" (909)	48.4" (1229)	52.6" (1336)	63.2" (1605)	63.2" (1605)	64.5" (1638)	65.5" (1664)	65.5" (1664)	69.5" (1765)	72" (1829)	79.5" (2019)	
	R. Bucket Width (mm)	36" (914)	55" (1404)	54" (1372)	61.5" (1562)	61.5" (1562)	66" (1676)	70" (1778)	70" (1778)	70" (1778)	74" (1880)	84" (2134)	
	S. Ground Clearance to Chassis (mm)	5.9" (150)	6.0" (152)	7.9" (201)	6.3" (160)	6.3" (160)	6.5" (165)	8" (203)	8" (203)	8" (203)	9" (229)	7.3" (185)	
	V. Overall Length - Less Bucket (mm)	75" (1905)	88.9" (2258)	92.2" (2342)	93.9" (2385)	93.9" (2385)	94" (2388)	105" (2667)	111.5" (2832)	116.5" (2959)	119" (3023)	121.5" (3086)	
	W. Departure Angle	30°	26°	25°	21°	21°	25°	25°	25°	25°	25°	19°	
	X. Clearance Circle - Front w/ Bucket (mm)	58" (1473)	69.4" (1763)	72.5" (1842)	73.6" (1869)	73.6" (1869)	79" (2007)	87.5" (2223)	90" (2286)	90" (2286)	94.5" (2400)	88.5" (2248)	
	Y. Clearance Circle - Front w/o Bucket (mm)	32.8" (833)	44.1" (1120)	44.1" (1130)	45.4" (1153)	45.4" (1153)	44.5" (1130)	52" (1321)	56" (1422)	56" (1422)	56" (1422)	50.8" (1290)	
	Z. Clearance Circle - Rear (mm)	43.2" (1097)	54.1" (1374)	54" (1372)	57.7" (1466)	57.7" (1466)	58.5" (1486)	60" (1524)	64" (1626)	66.5" (1689)	69.5" (1765)	70.5" (1791)	
Standard Specification Tire Size	5.70 x 12	27x8.5x15 HD	10.00x16.5 HD	10.00x16.5 HD	10.00x16.5 HD	10.00x16.5 HD	12.00x16.5 HD	12.00x16.5 HD	12.00x16.5 HD	14.00x17.5 HD	14.00x17.5 HD		
ENGINE	Make	Yanmar	Yanmar	Yanmar	Yanmar	Yanmar	Yanmar	Yanmar	Yanmar	Yanmar	Yanmar	Cummins	
	Model	3TNV82 Interim Tier IV	3TNV88 Interim Tier IV	4TNV98C-KMS Tier IV	4TNV98C-KMS Tier IV	4TNV98C-NMS2 Tier IV	4TNV98C-NMS Tier IV	4TNV98CT-NMS Tier IV	4TNV98CT-NMS Tier IV	4TNV98CT-NMS Tier IV	4TNV98CT-NMS Tier IV	QSB 4.5 Tier III	
	Gross Power (kW) @ rpm	N/A	N/A	46.3 hp (34.5) @ 2800	46.3 hp (34.5) @ 2800	69.9 hp (52) @ 2500	69.3 hp (51.7) @ 2500	72 hp (53.7) @ 2500	72 hp (53.7) @ 2500	70.7 hp (52.7) @ 2500	70.7 hp (52.7) @ 2500	N/A	
	Net Power (kW) @ rpm	24 hp (17.9) @ 2400	35 hp (26) @ 2800	44.5 hp (33) @ 2800	44.5 hp (33) @ 2800	68.4 hp (51) @ 2500	68.4 hp (51) @ 2500	70.7 hp (52.7) @ 2500	70.7 hp (52.7) @ 2500	72 hp (53.7) @ 2500	72 hp (53.7) @ 2500	69 hp (74) @ 2200	
	Maximum Torque (Nm) @ rpm	68 ft.-lbs. (96) @ 1200	80 ft.-lbs. (108) @ 1680	107.8 ft.-lbs. (146) @ 1820	107.8 ft.-lbs. (146) @ 1820	178 ft.-lbs. (241) @ 1625	178 ft.-lbs. (241) @ 1625	217 ft.-lbs. (294) @ 1625	217 ft.-lbs. (294) @ 1625	217 ft.-lbs. (294) @ 1625	217 ft.-lbs. (294) @ 1625	326 ft.-lbs. (442) @ 1300	
Displacement (L)	81 cu.in. (1.3)	100 cu.in. (1.6)	133.6 cu.in. (2.19)	133.6 cu.in. (2.19)	201.4 cu.in. (3.3)	202.6 cu.in. (3.3)	202.6 cu.in. (3.3)	202.6 cu.in. (3.3)	202.6 cu.in. (3.3)	202.6 cu.in. (3.3)	272 cu.in. (4.5)		
HYDRAULIC SYSTEM	Auxiliary Hydraulics - Standard (L/min)	10.1 gpm (38.2)	14.5 gpm (55)	17 gpm (64.4)	17 gpm (64.4)	18.9 gpm (71.4)	18.5 gpm (70)	23.5 gpm (90)	23.5 gpm (90)	23.5 gpm (89)	23.5 gpm (89)	32 gpm (121)	
	High-Flow Auxiliary Hydraulics - Option (L/min)	N/A	N/A	N/A	N/A	N/A	31.5 gpm (119)	35 gpm (132.5)	35 gpm (132.5)	35 gpm (132)	35 gpm (132)	40.8 gpm (154)	
	Reservoir Capacity (L)	7.2 gal. (27.3)	8 gal. (30.3)	10 gal. (37.9)	11 gal. (41.6)	11 gal. (41.6)	8 gal. (30.3)	8 gal. (30.3)	8 gal. (30.3)	10.5 gal. (40)	10.5 gal. (40)	16.75 gal. (63)	
ELECTRICAL SYSTEM	Battery (CCA)	12-volt (850)	12-volt (875)	12-volt (950)	12-volt (950)	12-volt (950)	12-volt (950)	12-volt (950)	12-volt (950)	12-volt (950)	12-volt (950)	12-volt (950)	
	Starter (kW)	12-volt (1.7)	12-volt (2.3)	12-volt (3.0)	12-volt (3.0)	12-volt (3.0)	12-volt (3.0)	12-volt (3.0)	12-volt (3.0)	12-volt (3.0)	12-volt (3.0)	12-volt (3.0)	
	Alternator	40-amp	40-amp	100-amp	100-amp	100-amp	95-amp	95-amp	95-amp	95-amp	95-amp	130-amp	
CAPACITIES / WEIGHTS	Rated Operating Capacity ¹ (kg)	850 lbs. (386)	1,050 lbs. (476)	1,350 lbs. (612)	1,500 lbs. (680)	1,650 lbs. (748)	1,900 lbs. (862)	2,200 lbs. (998)	2,600 lbs. (1179)	2,700 lbs. (1225)	3,300 lbs. (1497)	4,000 lbs. (1814)	
	Rated Op. Capacity with Opt. Counterweight ¹ (kg)	N/A	1,175 lbs. (533)	1,500 lbs. (680)	1,650 lbs. (748)	1,800 lbs. (816.5)	2,110 lbs. (957)	2,370 lbs. (1075)	2,780 lbs. (1261)	3,000 lbs. (1361)	N/A	N/A	
	Fuel Tank (L)	7.7 gal. (29)	10.4 gal. (39.4)	16.5 gal. (62.5)	16.5 gal. (62.5)	16.5 gal. (62.5)	16.5 gal. (62.5)	18 gal. (68.1)	21.5 gal. (81.4)	24.5 gal. (92.7)	24.5 gal. (92.7)	31.25 gal. (118)	
	Travel Speed - Maximum (km/hr)	5.5 mph (8.9)	5.9 mph (9.5)	8.0 mph (12.9)	7.4 mph (11.9)	7.8 mph (12.6)	7.5 mph (12.1)	8.0 mph (12.9)	8.0 mph (12.9)	7.4 mph (12)	8.1 mph (13.0)	6.5 mph (10.5)	
	Travel Speed w/ Two-Speed Option - Maximum (km/hr)	N/A	N/A	N/A	N/A	N/A	12.1 mph (19.5)	12.5 mph (20.1)	11.9 mph (19.2)	11.9 mph (19.2)	11.9 mph (19.2)	12.2 mph (19.6)	11.2 mph (18)
	Operating Weight ² - Approximate (kg)	2980 lbs. (1352)	4000 lbs. (1814)	5,130 lbs. (2327)	5,930 lbs. (2690)	6,165 lbs. (2796)	6,880 lbs. (3121)	7,980 lbs. (3620)	8,200 lbs. (3719)	8,150 lbs. (3697)	9,090 lbs. (4123)	11,100 lbs. (5035)	

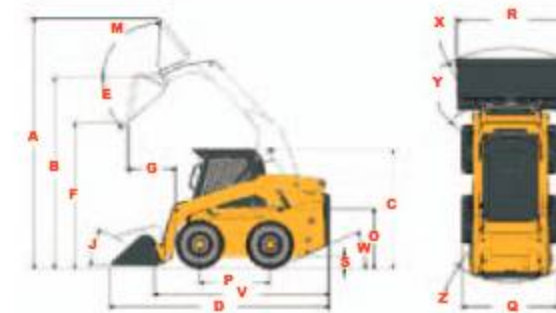
REFERENCE DIAGRAMS

RADIAL-LIFT

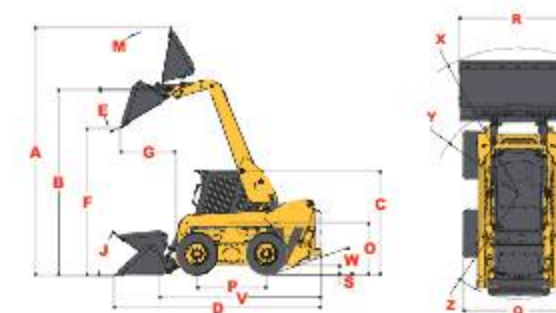


VERTICAL-LIFT

V270 GEN:2 / V330 GEN:2



V400



- A Overall width is dependent upon the amount of wheel offset
- B Per SAE J818, SAE J732, and ISO 14397
- C Weight of base unit with standard equipment, standard tires (heavy-duty flotation), standard dirt-construction bucket and 175 lb. (79 kg) operator.

OWNER DRIVEN

Gehl authorized dealers offer a full line of compact equipment, backed up by exceptional sales, service and parts experience.

For more information on Gehl equipment, call our hotline at

1-800-628-0491

or visit gehl.com

Gehl Company reminds users to read and understand the operator's manual before operating any equipment. Also, make sure all safety devices and shields are in place and functioning properly.

Gehl reserves the right to add improvements or make changes in specifications at any time without notice or obligation.

¹ Adjustable control towers and armrests available on joystick and hand/foot control configurations only.

² Foot throttle on hand control units only.

³ Hydraglide™ Ride Control is standard with pilot controls and optional with T-Bar controls.

⁴ Self-leveling hydraulic lift action is not selectable on models 1640E and 3640E.



GEHL

West Bend, WI 53095 U.S.A.
Tel: 262-334-9461 | Fax: 262-338-7517

● STANDARD ● OPTIONAL

	1640E	3640E	R135	R150	R165	R190	R220	R260	V270 GEN2	V330 GEN2	V400
CONTROLS											
Gehl T-Bar Controls	●	●	●	●	●	●	●	●	●	●	●
Dual-Hand Controls						●	●	●	●	●	●
Hand/Foot Controls		●	●	●	●	●	●	●	●	●	●
Joystick Controls					●	●	●	●	●	●	●
ENGINE											
Engine Auto-Shutdown System		●	●	●	●	●	●	●	●	●	●
Engine Block Heater	●	●	●	●	●	●	●	●	●	●	●
Turbo-Charged Engine							●	●	●	●	●
Swing-Out Cooler			●	●	●						●
HYDRAULICS											
Auxiliary Hydraulics	●	●	●	●	●	●	●	●	●	●	●
High-Flow Auxiliary Hydraulics						●	●	●	●	●	●
OPERATOR STATION											
Adjustable Arm Rests / Control Towers ¹						●	●	●	●	●	●
Heating	●	●	●	●	●	●	●	●	●	●	●
Air Conditioning						●	●	●	●	●	●
High-Back Adjustable Seat	●	●	●	●	●	●	●	●	●	●	●
Suspension Seat - Mechanical	●	●	●	●	●	●	●	●	●	●	●
Suspension Seat - Air Ride			●	●	●	●	●	●	●	●	●
Cab Enclosure	●	●	●	●	●	●	●	●	●	●	●
Foot and Hand Throttles ²	●	●	●	●	●	●	●	●	●	●	●
Full Instrumentation		●	●	●	●	●	●	●	●	●	●
Horn	●	●	●	●	●	●	●	●	●	●	●
Integral Access Plate (removable)	●	●	●	●	●	●	●	●	●	●	●
Operator Restraint Bar	●	●	●	●	●	●	●	●	●	●	●
ROPS/FOPS Level II Overhead Guard	●	●	●	●	●	●	●	●	●	●	●
Sound Reduction Material		●	●	●	●	●	●	●	●	●	●
Work Lights - Front and Rear	●	●	●	●	●	●	●	●	●	●	●
PERFORMANCE											
All-Tach® Attachment Mounting System	●	●	●	●	●	●	●	●	●	●	●
Power-A-Tach® Attachment Mounting System			●	●	●	●	●	●	●	●	●
Anti-Vandalism Protection	●	●	●	●	●	●	●	●	●	●	●
Back-Up Alarm	●	●	●	●	●	●	●	●	●	●	●
Brake Control (Auto / Manual)	●	●	●	●	●	●	●	●	●	●	●
Counterweight			●	●	●	●	●	●	●	●	●
Hydraglide™ Ride Control ³				●	●	●	●	●	●	●	●
Hydraloc™ Safety System	●	●	●	●	●	●	●	●	●	●	●
Hydrostatic Drive - Servo	●	●	●	●	●	●	●	●	●	●	●
Lift Arm Support Device	●	●	●	●	●	●	●	●	●	●	●
Selectable Self-Leveling Hydraulic Lift Action ⁴	●	●	●	●	●	●	●	●	●	●	●
Two-Speed Drive					●	●	●	●	●	●	●