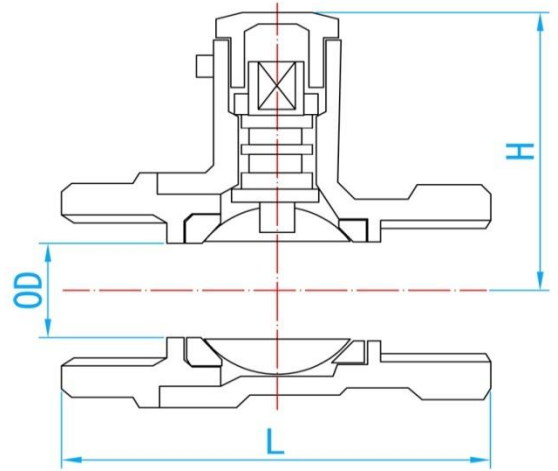


LOCKABLE BRASS FULL BORE BALL VALVE



CROSS SECTIONAL VIEW

COMPONENT PARTS

ITEM	PARTS	MATERIAL
1	Key	Zinc Plated Iron
2	Valve Body	Brass
3	Ball	Brass
4	Seat	Teflon

STANDARD SPECIFICATIONS

Nominal pressure	2.0MPa
Working Medium	Water (Maximum working pressure is 0.6MPa.)
Working Temperature	-20°C ≤ t ≤ 110 °C

DIMENSIONS

STOCK CODE	DN (mm)	SIZE (inch)	H (mm)	L (mm)	OD (mm)	WEIGHT (kg)
BVLN15	15	1/2"	39	52.5	12.5	0.205
BVLN20	20	3/4"	41	55.5	15	0.261
BVLN25	25	1"	49.5	69	20	0.456
BVLN35	32	1 1/4"	53.5	76.5	25	0.550
BVLN42	40	1 1/2"	61.5	88	32	0.850
BVLN50	50	2"	68	103	40	1.000