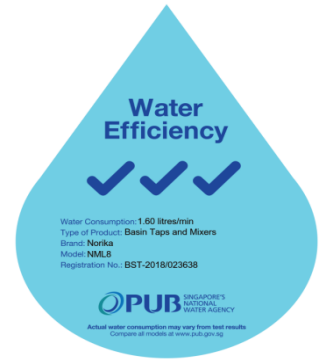
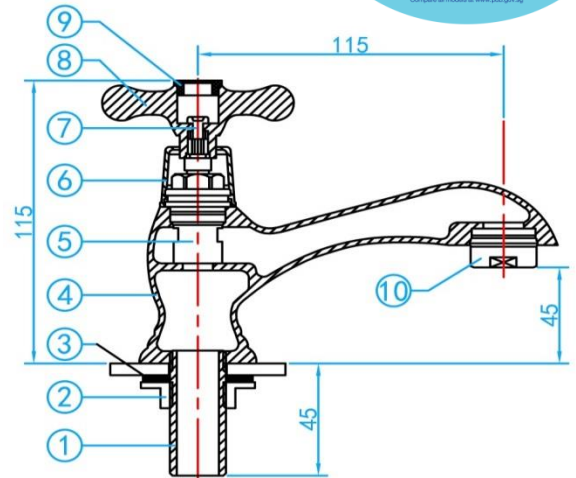


# CHROME PLATED CROSS HANDLE BASIN PILLAR TAP

COMPLY WITH BSEN200:2008  
BSEN248:2002  
AS/NZS4020:2005  
SS375: PART 1



NORMAL-CROSS HANDLE



SECTION VIEW

CHARACTERISTIC

- Suitable for public, commercial and institutional washrooms.
- Saves water through built-in volume control.
- Corrosion-resistant material.
- Easy installation and maintenance.

COMPONENT PARTS

ITEM	PARTS	MATERIAL
1.	Inlet Pipe	Brass
2.	Nut	Brass
3.	Washes	NBR
4.	Body	Brass
5.	Piston	Brass, NBR, Ceramic
6.	Decorative Cover	ABS
7.	Cross Head Screw	AISI304
8.	Handle	Brass
9.	Stifle	ABS
10.	Bubbler	Brass, ABS, NBR

STANDARD SPECIFICATIONS

STOCK CODE	APPLICABLE WATER PRESSURE	WATER TEMPERATURE	ENVIRONMENTAL TEMPERATURE	H (mm)	WATER SUPPLYING CALIBER	WEIGHT (kg)
NML8	1.0Mpa	t ≤ 90°C	Room Temperature	115	G 1/2"	0.575