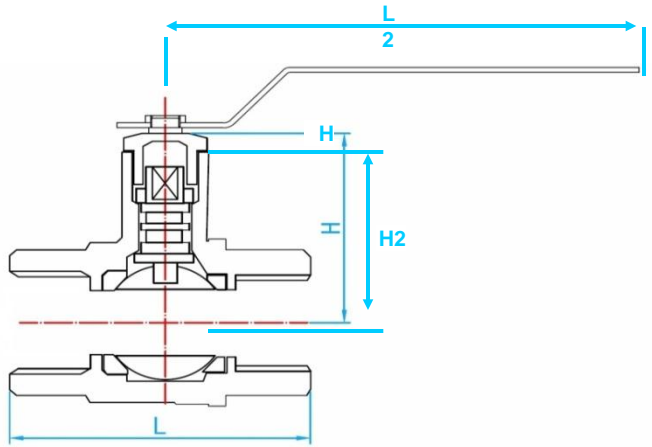


# BRASS FULL BORE BALL STOP VALVE CHROME PLATED



CROSS SECTIONAL VIEW

## COMPONENT PARTS

ITEM	PARTS	MATERIAL
1	Handle	PVC Coated Steel
2	Valve Body	Brass
3	Ball	Brass
4	Seat	PTFE

## STANDARD SPECIFICATIONS

Max Pressure	1/2" - 2" : 27 Bar
	2 1/2" - 4" : 40 bar
Applicable Medium	Water
Working Temperature	-20°C ≤ t ≤ 120 °C

## DIMENSIONS

STOCK CODE	DN (mm)	SIZE (inch)	H (mm)	H2 (mm)	L (mm)	L2 (mm)	WEIGHT (kg)
BVBRN15F	15	1/2"	22	26	47	88	0.17
BVBRN20F	20	3/4"	26	33	53	88	0.26
BVBRN25F	25	1"	32	42	64	110	0.41
BVBRN35F	32	1 1/4"	39	58	79	135	0.66
BVBRN42F	42	1 1/2"	46	64	85	145	1.11
BVBRN50F	50	2"	54	79	100	142	1.9
BVBRN65F	65	2 1/2"	67	95	134	210	2
BVBRN80F	80	3"	84	120	150	240	2.36
BVBRN100F	100	4"	92	144	180	240	2.36