

UEBERALL SINGLE CARTRIDGE FILTER USC series

10" / 20" / 30"

The USC single cartridge filter housings are entirely manufactured from stainless steel 304.

They represent a highly economic way to avoid plastic housings for a variety of applications.

Especially in industries, where durability and temperature resistance count, this filter housing represents the first choice providing top quality.

USC series either come fitted with genuine 3M CUNO® MKCA activated carbon cartridges for chlorine, taste and odour removal or just as protective pre-filters upstream UV sterilizers, taps or any piping system.

Different to other designs the cartridge(s) are fixed by a centre bolt and gland. The sanitary gland allows tool-free service and the o-ring sealed stainless steel body can be taken off, while cartridge(s) are still fixed to the stainless steel head.

TECHNICAL DATA		USC-10	USC-20	USC-30
Max. flow rate (5 µ filtration)	[m³/h]	1.1	2.2	3.3
Max. flow rate (Dechlorination)	[m³/h]	0.35	0.7	1.1
Operational / test pressure	[Bar]	10 / 15		
Design Temperature	[°C]	100		
In- and Outlet thread connection	[G]	¾"	1"	
No. Of 10" cartridges	[Pcs]	1	2	3
Weight dry	[kg]	4	5.5	7
Material filter housing		Stainless steel 1.4301 (304)		
Surface finish		Electro polished		



OPTIONS:

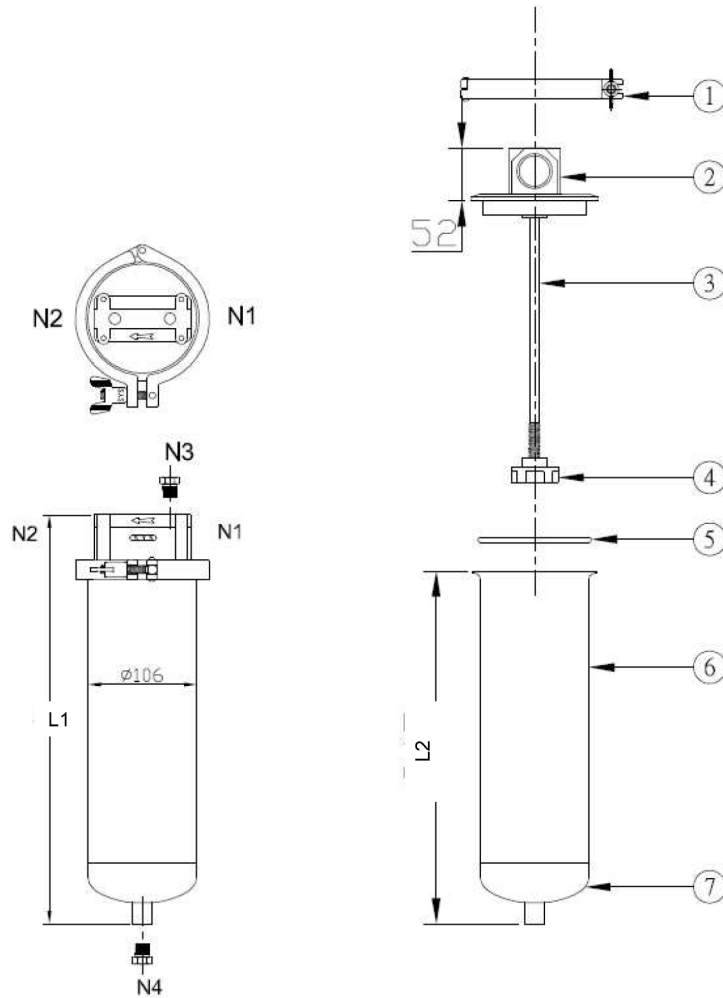
- Stainless steel drain valve ¼"
- Stainless steel air vent valve
- Stainless steel manometer
- 3M Cuno® Activated Carbon cartridges MKCA
- pH-correcting cartridges filled with dolomite
- 5 µ to 100 µ PP-standard filter cartridges

made
in
Germany

UEBERALL SINGLE CARTRIDGE FILTER USC series

10" / 20" / 30"

DIMENSIONAL DRAWING



DIMENSIONS		USC-10	USC-20	USC-30
N1	[G]	3/4"	1"	
N2	[G]	3/4"	1"	
N3	[mm]	1/4"		
N4	[mm]	1/4"		
L1	[mm]	400	650	900
L2	[mm]	345	595	845