

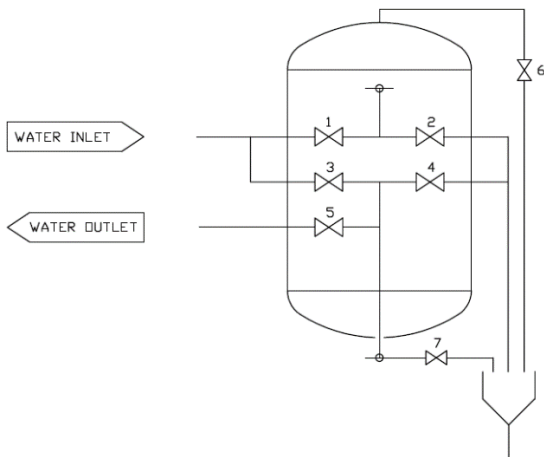
UEBERALL Multi-Media Water Filter

UMF-50

For deep sand filtration of potable water.
 Made of Stainless Steel 304 for 20+ years lifetime expectation under 2 years warranty.
 Complete operational system including initial fillings and all necessary manual valves (butterfly valves) with handles.



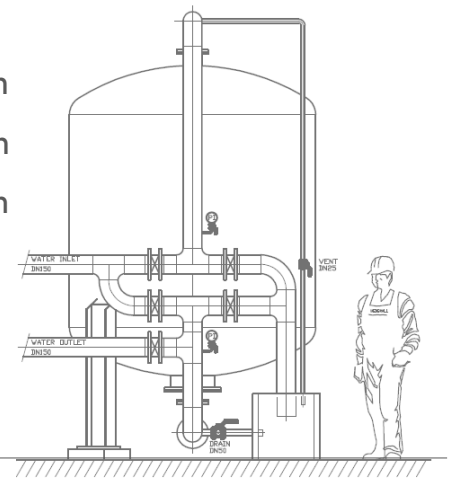
Schematic and Valve list



	Valve Function	Size
1	Water Inlet	DN 125
2	Backwash outlet	DN 125
3	Backwash inlet	DN 125
4	Rinse	DN 125
5	Water Outlet	DN 125
6	Vent	DN 25
7	Drain	DN 50

Technical Data

Filter Cyl. H x D:	1200 x 1800 mm	Flow rate nominal:	50 m ³ /h
Filter area:	2,54 m ²	Flow rate max.:	75 m ³ /h
Support layer:	430 kg	Flow rate back wash:	90 m ³ /h
Filter Sand:	1525 kg		
Hydroanthrasit /		Operational Pressure:	6 bar
Activated Carbon:	1090 kg	Test Pressure:	9 bar



Options: Automatic backflush with control panel and all necessary butterfly Valves with electro-pneumatic drive (requires pressurized air 8-10bar)