

# IN Series

## Standardized centrifugal pumps

### DIN 24255 - EN 733

Industry

Water

Waste water

Energy

Building Services

Mining

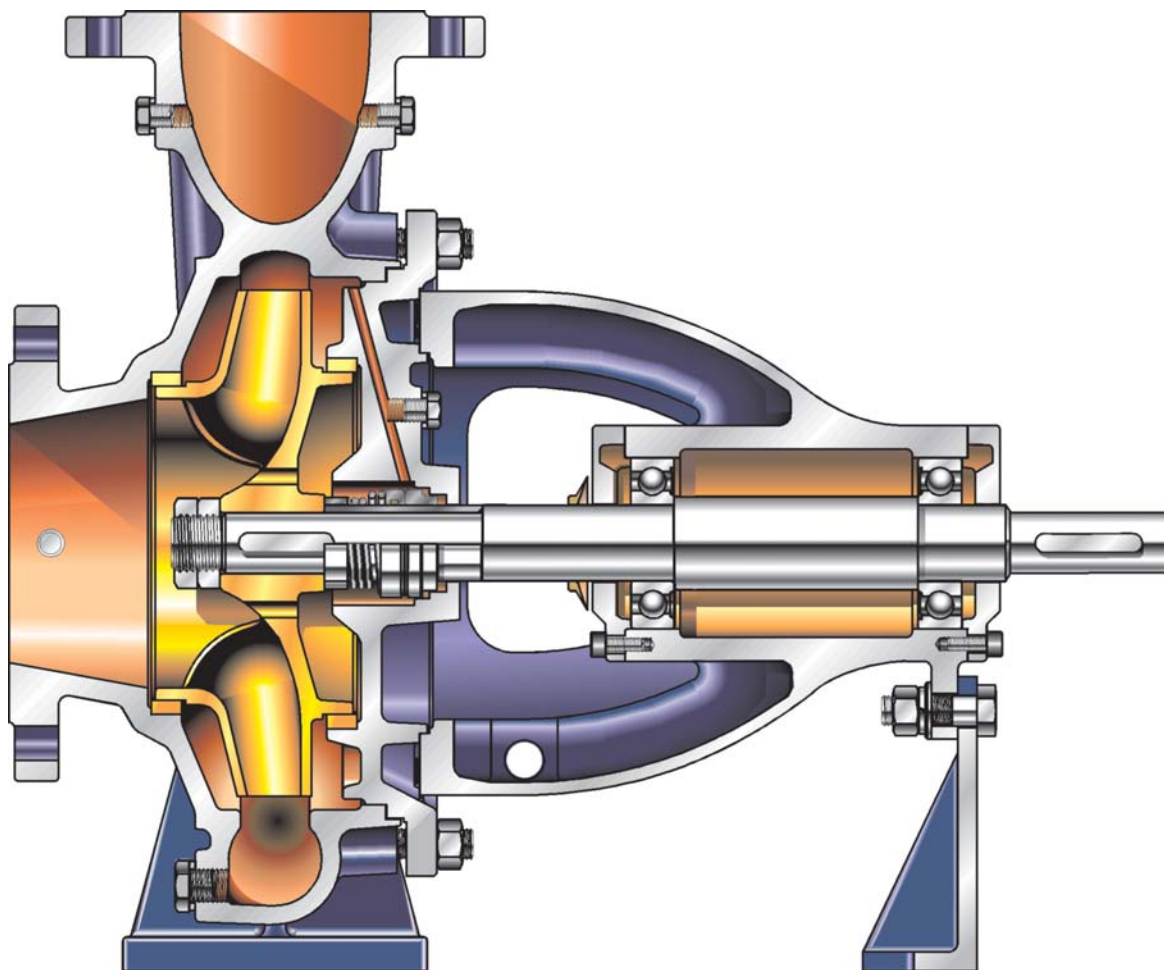
Marine

#### Applications

- Water supply systems
- Air conditioning and heating systems
- Services for industry
- Fire Fighting
- Irrigation
- Drainage
- Swimming pools
- Hot water handling
- Cooling water
- Brine
- Drinking water
- Brackish water



# IN Series



## Robust design

Oversized ball bearings. Pumps with dimensions according to EN733 are greased for life

## Variety of materials

According to the pumped fluid

## Easy maintenance

Minimal and fast

## Wear rings

In pump casing and cover to allow a simple repairing

## Standardized parts

High interchangeability degree

## High efficiency

Up to 82 %

### Materials

- Casing: GG-25 / RG-5
- Impeller: GG-25 / CF8M / SN-10
- Shaft: F114 / AISI-316L / AISI-431B
- Shaft sleeve: AISI-316L

### Technical data

Sizes:	DN 32 - 300
Maximum flow:	1600 m <sup>3</sup> /h
Maximum head:	100 m
Maximum pressure:	10 bar
Maximum temperature:	-15 to +140°C