

VARIABOX short catalogue

International Edition



Technical data VARIABOX
Sizes

Version	Dimensions (H x W x D)
VARIABOX-S	130 x 230 x 145 mm
VARIABOX-M	260 x 230 x 145 mm
VARIABOX-L	390 x 230 x 145 mm
VARIABOX-XL	520 x 230 x 145 mm
VARIABOX-XXL	650 x 230 x 145 mm
VARIABOX-L DUO	390 x 460 x 145 mm
VARIABOX-XL DUO	520 x 460 x 145 mm
	Further modular extension possible

Colours

Top grey (standard) RAL 7035
 Top - yellow, available as of 5 units
 Top - blue, available as of 5 units
 Top - red, available as of 5 units
 Top - silver, available as of 5 units
 Bottom black RAL 9005

Design

Top cover straight,
 CEE sockets angled

Material

PBT polyester

Material properties

Self-extinguishing, heat-resistant, extremely cold-resistant, resistant to ageing, saltwater-resistant, good electric insulation properties, fracture-proof, wear-, resistant, abrasion-resistant, dimensionally stable

Durable

High chemical resistance,
 UV-stabilised, suitable for
 use in hostile environments

Impact strength

IK09

Thermal resistance

DIN EN 61439/ VDE 0660-600

Resistant to ageing

Long-term testing at +80 degrees

Glow wire test

In accordance with DIN EN60695

Protection

Top can be lead-sealed to bottom,
 OTC window can be lead-sealed

Wall mounting

Either internal or
 external fastening

Top cover attachment

Hinged on right,
 Can be hinged on left on request

Top cover screws

Captive, with internal and external
 hexagon, including slot,
 torque 2 Nm

Cable entry

Face plates pre-punched at top
 and bottom
 each with M12, M20, M25/M32/M40

Attachments

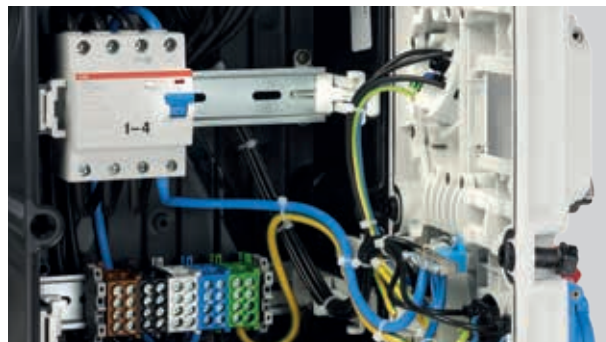
User-friendly OTC mechanism
 (One Touch Close),
 CEE sockets 16A to 63A with
 maintenance-free QUICK-CONNECT
 technology, data sockets,
 incompatibility of mounted sockets,
 optionally available with handle

Protection type

IP44, IP54, IP67

Environment

PVC-free, cadmium-free, halogen-free
 and silicone-free



- Proper and clearly arranged wiring and an automated safety test guarantee maximum safety
- With their generous cable bushings, modularly connected VARIABOX systems can be internally connected to one another even when using large cable cross sections



- The new operating window with the unique OTC mechanism (One Touch Close) engages in the open state and automatically closes and locks again when touched lightly
- The enclosure sections and the OTC operating windows can all be lead-sealed
- Either internal or external fastening



- All mounted sockets with maintenance-free QUICK-CONNECT technology
- sockets with flange dimensions 50 x 50 mm, 75 x 75 mm and 85 x 85 mm not manufacturer specific



- The metric cable entries at the top and bottom are pre-punched and can be broken out as required without problem. An overview of the enclosure sizes and cable entries can be found on page 4.

The standard for variable and safe distributor enclosures

One for all: the new VARIABOX from Bals meets all requirements for a modern distributor enclosure and can be individually configured in five different sizes. With versions S, M, L, XL and XXL as surface-mounting or mobile combination, every user can find the suitable distributor with the same design. Configuration according to individual specifications on the basis of predefined, encoded flange plates, which offer a maximum level of safety during the initial installation and/or maintenance. With its robust design in a high-grade and durable quality plastic, its good seal, the modular expansion options and many innovative extra features, the new VARIABOX proves itself even under the most adverse conditions.



Contents

Dimensioned drawings

Page 4



VARIABOX-S

Page 5



VARIABOX-M

Page 6, 7



VARIABOX-L

Page 8



VARIABOX-XL

Page 9



VARIABOX-XXL

Page 10



VARIABOX-L DUO

Page 11



VARIABOX IP67

Page 12 - 15



VARIABOX Mobil

Page 16, 17



Accessories

Page 18, 19



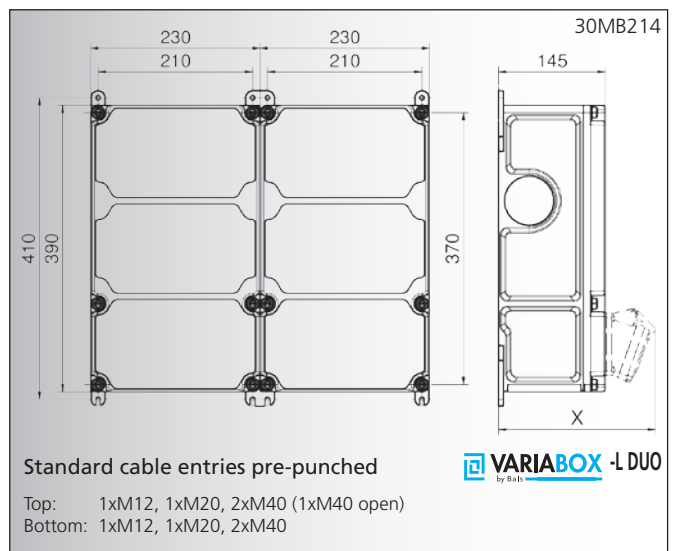
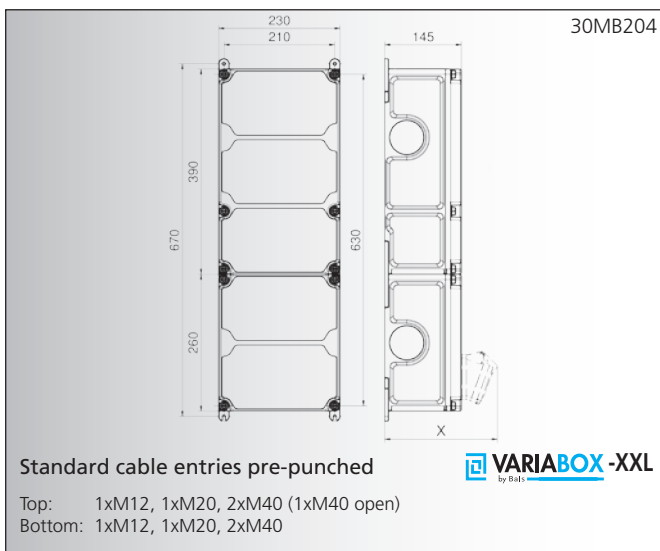
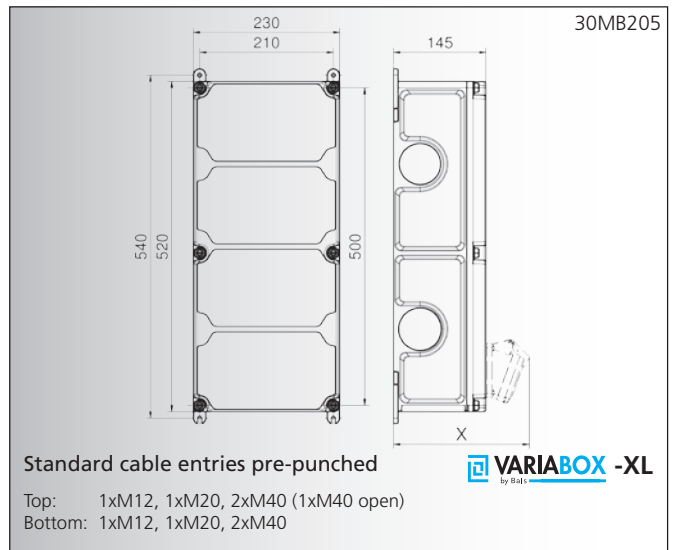
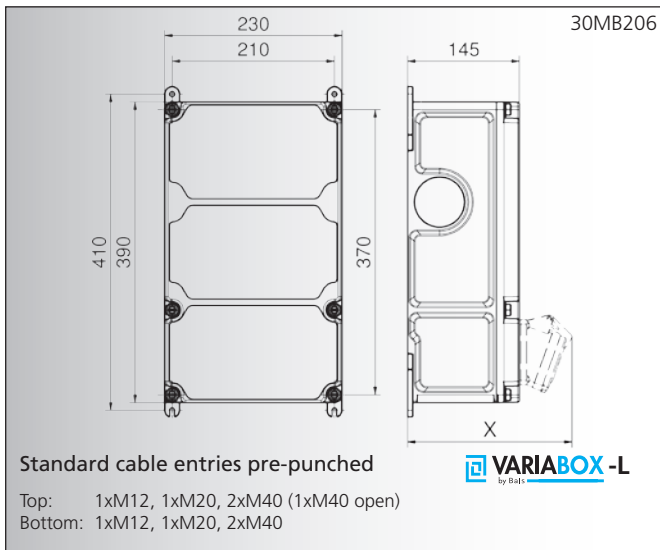
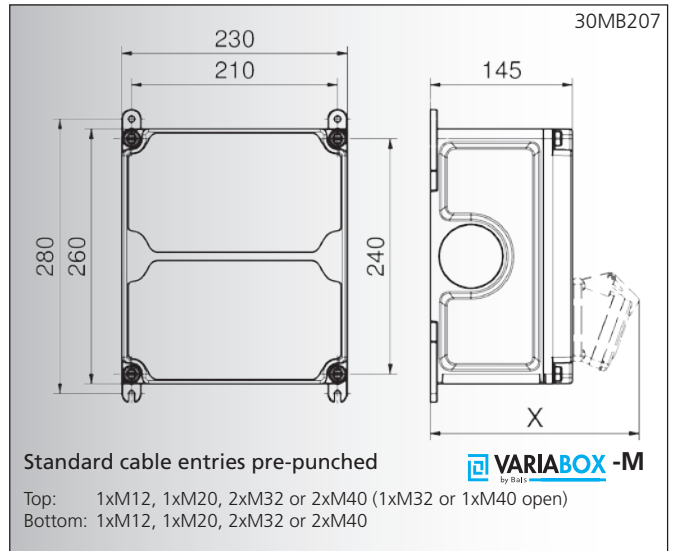
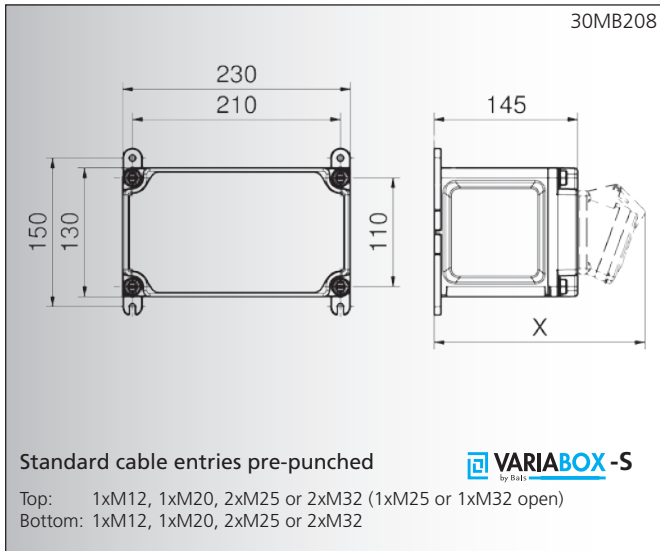
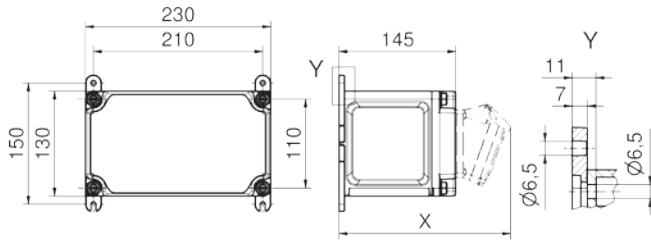


Table X-dimension

Components	OTC window	Schuko-type socket		CEE 16A 3p		CEE 16A 4p		CEE 16A 5p		CEE 32A 3/4p		CEE 32A 5p		CEE 63A	
			IP44	IP67	IP44	IP67	IP44	IP67	IP44	IP67	IP44	IP67	IP44	IP67	IP44
Depth X	180	162	205	200	200	204	202	207	205	211	213	213	214	229	231

Technical changes possible.

- Wired ready for connection
- Protection degree IP44
- All distributors on this page with domestic sockets, German earthing



depth x in (mm)		30 MB 208	
with	IP44	with	IP44
OTC operating window	180	CEE 16A 5p	207
domestic socket	162	CEE 32A 3p/4p	211
CEE 16A 3p	200	CEE 32A 5p	213
CEE 16A 4p	204	CEE 63A 3p/4p/5p	229

- Dimension of enclosure: 130 x 230 mm
- Housing made of high-grade, impact-resistant plastic
- Top and bottom can be sealed together
- With external and internal fastening
- Permanently attached cover screws
- Top section straight, CEE sockets angled
- All CEE sockets with screwless, maintenance-free QUICK-CONNECT technology
- Colours: bottom - black, top - electro-grey (enclosure top optionally available in the colours yellow, red, blue or silver)
- All combinations in accordance with the basic standard DIN EN 61439 (see main catalog page 14)

VARIABOX-S 

Order no. **89003**

Components:
3 domestic sockets 16A, 230V ~
(system F - German earthing system)

Cable entry at top and bottom:
each with 1x M12, 1x M20, 2x M25

Connection option:
for 1 cable up to 5 x 6 mm²



VARIABOX-S 


Order no. **89006**

Components:
4 domestic sockets 16A, 230V ~
(system F - German earthing system)

Cable entry at top and bottom:
each with 1x M12, 1x M20, 2x M25

Connection option:
for 1 cable up to 5 x 6 mm²




VARIABOX-S 


Order no. **89002**

Components:
1 domestic socket 16A, 230V
(system F - German earthing system)
1 CEE socket 16A, 400V, 5p

Cable entry at top and bottom:
each with 1x M12, 1x M20, 2x M25

Connection option:
for 1 cable up to 5 x 6 mm²




VARIABOX-S 


Order no. **89004**

Components:
2 domestic sockets 16A, 230V ~
(system F - German earthing system)
1 CEE socket 16A, 400V, 5p

Cable entry at top and bottom:
each with 1x M12, 1x M20, 2x M25

Connection option:
for 1 cable up to 5 x 6 mm²




VARIABOX-S 

Order no. **89058**

Components:
2 domestic sockets 16A, 230V ~
(system F - German earthing system)
1 CEE socket 32A, 400V, 5p

Cable entry at top and bottom:
each with 1x M25, 1x M32

Connection option:
for 1 cable up to 3 x 4 mm² and
1 cable up to 5 x 6 mm²



VARIABOX-S 

Order no. **89000**

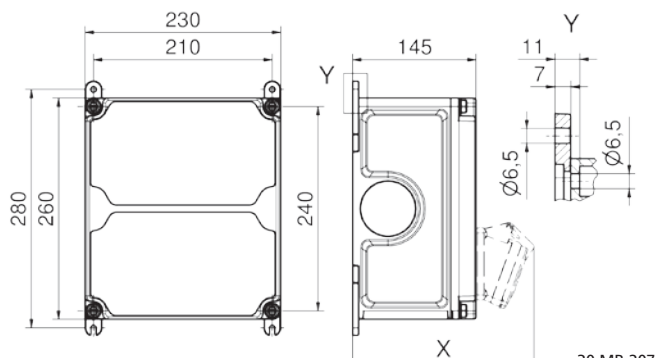
Components:
2 CEE sockets 16A, 400V, 5p

Cable entry at top and bottom:
each with 1x M12, 1x M20, 2x M25

Connection option:
for 1 cable up to 5 x 6 mm²



- Wired ready for connection
- Protection degree IP44
- All distributors on this page with domestic sockets, German earthing



depth x in (mm)		with IP44	
with			
OTC operating window	180	CEE 16A 5p	207
domestic socket	162	CEE 32A 3p/4p	211
CEE 16A 3p	200	CEE 32A 5p	213
CEE 16A 4p	204	CEE 63A 3p/4p/5p	229

- Dimension of enclosure: 260 x 230 mm
- Housing made of high-grade, impact-resistant plastic
- Hinged enclosure cover
- Top and bottom can be sealed together
- With external and internal fastening
- User-friendly OTC operating window
- Permanently attached cover screws
- Coded flange plate system for maximum safety during initial installation and maintenance
- Top section straight, CEE sockets angled
- All CEE sockets with screwless, maintenance-free QUICK-CONNECT technology
- Colours: bottom - black, top - electro-grey (enclosure top optionally available in the colours yellow, red, blue or silver)
- All combinations in accordance with the basic standard DIN EN 61439 (see main catalog page 14)

VARIABOX-M



Order no. **89016**

Components:

3 domestic sockets 16A, 230V ~
(system F - German earthing system)

Fuse:

3 C-type MCBs 16A, 1p
1 RCCB 40/0.03A, 4p

Cable entry at top and bottom:
each with 1x M12, 1x M20, 2x M32

Connection option:
for 2 cables up to 5 x 25 mm²



VARIABOX-M



Order no. **890400**

Components:

3 domestic sockets 16A, 230V ~
(system F - German earthing system)

1 double data socket RJ45 CAT 6 IP55

Fuse:

3 C-type MCBs 16A, 1p
1 RCCB 40/0.03A, 4p

Cable entry at top and bottom:
each with 2x M20, 2x M32

Connection option:
for 2 cables up to 5 x 25 mm²



VARIABOX-M



Order no. **89040**

Components:

4 domestic sockets 16A, 230V ~
(system F - German earthing system)

Fuse:

4 C-type MCBs 16A, 1p
1 RCCB 40/0.03A, 4p

Cable entry at top and bottom:
each with 1x M12, 1x M20, 2x M32

Connection option:
for 2 cables up to 5 x 25 mm²



VARIABOX-M



Order no. **89037**

Components:

8 domestic sockets 16A, 230V ~
(system F - German earthing system)

Cable entry at top and bottom:
each with 1x M12, 1x M20, 2x M25

Connection option:
for 1 cable 5 x 6 mm²



VARIABOX-M



Order no. **89044**

Components:

2 domestic sockets 16A, 230V ~
(system F - German earthing system)

1 CEE socket 16A, 400V, 5p

Fuse:

2 Neozed D01, 1p
1 Neozed D01, 3p

Cable entry at top and bottom:
each with 1x M12, 1x M20, 2x M40

Connection option:
for 2 cables up to 5 x 25 mm²



VARIABOX-M



Order no. **89010**

Components:

2 domestic sockets 16A, 230V ~
(system F - German earthing system)

1 CEE socket 16A, 400V, 5p

Fuse:

2 C-type MCBs 16A, 1p
1 C-type MCB 16A, 3p
1 RCCB 40/0.03A, 4p

Cable entry at top and bottom:
each with 1x M12, 1x M20, 2x M40

Connection option:
for 2 cables up to 5 x 25 mm²



- Wired ready for connection
- Protection degree IP44
- All distributors on this page with domestic sockets, German earthing



Order no. **89015**
Components:
 2 domestic sockets 16A, 230V ~
 (system F - German earthing system)
 1 CEE socket 32A, 400V, 5p



Fuse:
 2 Neozed D01, 1p
 1 Neozed D02, 3p

Cable entry at top and bottom:
 each with 1x M12, 1x M20, 2x M40

Connection option:
 for 2 cables up to 5 x 25 mm²



Order no. **89013**
Components:
 2 domestic sockets 16A, 230V ~
 (system F - German earthing system)
 1 CEE socket 32A, 400V, 5p



Fuse:
 2 C-type MCBs 16A, 1p
 1 C-type MCB 32A, 3p
 1 RCCB 40/0.03A, 4p

Cable entry at top and bottom:
 each with 1x M12, 1x M20, 2x M40

Connection option:
 for 2 cables up to 5 x 25 mm²



Order no. **89017**
Components:
 2 CEE sockets 16A, 400V, 5p



Fuse:
 2 C-type MCBs 16A, 3p
 1 RCCB 40/0.03A, 4p

Cable entry at top and bottom:
 each with 1x M12, 1x M20, 2x M40

Connection option:
 for 2 cables up to 5 x 25 mm²



Order no. **89028**
Components:
 2 domestic sockets 16A, 230V ~
 (system F - German earthing system)
 2 CEE sockets 16A, 400V, 5p



Cable entry at top and bottom:
 each with 1x M12, 1x M20, 2x M25

Connection option:
 for 1 cable 3 x 4 mm² and
 1 cable 5 x 4 mm²



Order no. **89038**
Components:
 5 domestic sockets 16A, 230V ~
 (system F - German earthing system)
 1 CEE socket 16A, 400V, 5p



Cable entry at top and bottom:
 each with 1x M12, 1x M20, 2x M25

Connection option:
 for 1 cable up to 5 x 6 mm²



Order no. **89022**
Components:
 1 CEE socket 16A, 400V, 5p
 1 CEE socket 32A, 400V, 5p



Fuse:
 1 Neozed D01, 3p
 1 Neozed D02, 3p

Cable entry at top and bottom:
 each with 1x M12, 1x M20, 2x M40

Connection option:
 for 2 cables up to 5 x 25 mm²



Order no. **89048**
Components:
 1 CEE socket 16A, 400V, 5p
 1 CEE socket 32A, 400V, 5p



Fuse:
 1 C-type MCB 16A, 3p
 1 C-type MCB 32A, 3p
 1 RCCB 40/0.03A, 4p

Cable entry at top and bottom:
 each with 1x M12, 1x M20, 2x M40

Connection option:
 for 2 cables up to 5 x 25 mm²



Order no. **890011**
Components:
 2 CEE sockets 32A, 400V, 5p

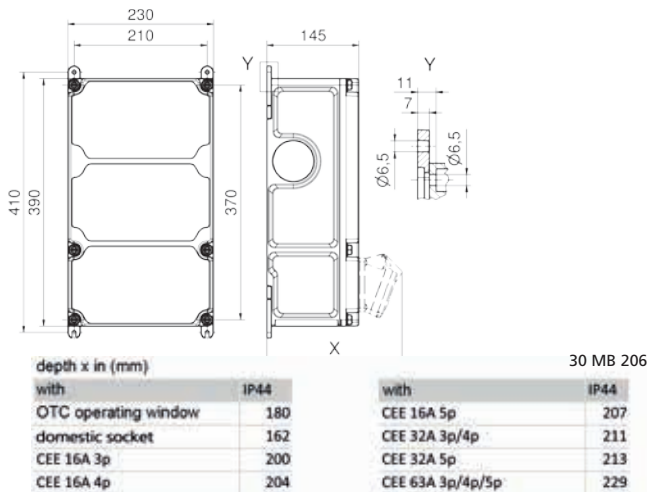


Fuse:
 2 C-type MCBs 32A, 3p
 1 RCCB 63/0.03A, 4p

Cable entry at top and bottom:
 each with 1x M12, 1x M20, 2x M40

Connection option:
 for 2 cables up to 5 x 25 mm²

- Wired ready for connection
- Protection degree IP44
- All distributors on this page with domestic sockets, German earthing



- Dimension of enclosure: 390 x 230 mm
- Housing made of high-grade, impact-resistant plastic
- Hinged enclosure cover
- Top and bottom can be sealed together
- With external and internal fastening
- User-friendly OTC operating window
- Permanently attached cover screws
- Coded flange plate system for maximum safety during initial installation and maintenance
- Top section straight, CEE sockets angled
- All CEE sockets with screwless, maintenance-free QUICK-CONNECT technology
- Colours: bottom - black, top - electro-grey (enclosure top optionally available in the colours yellow, red, blue or silver)
- All combinations in accordance with the basic standard DIN EN 61439 (see main catalog page 14)

VARIABOX-L



Order no. **89084**

Components:

6 domestic sockets 16A, 230V ~
(system F - German earthing system)

Fuse:

6 C-type MCBs 16A, 1p
1 RCCB 40/0.03A, 4p

Cable entry at top and bottom:
each with 1x M12, 1x M20, 2x M40

Connection option:
for 2 cables up to 5 x 25 mm²



VARIABOX-L



Order no. **89085**

Components:

2 domestic sockets 16A, 230V ~
(system F - German earthing system)
2 CEE sockets 16A, 400V, 5p

Fuse:

2 Neozed D01, 1p
2 Neozed D01, 3p

Cable entry at top and bottom:
each with 1x M12, 1x M20, 2x M40

Connection option:
for 2 cables up to 5 x 25 mm²



VARIABOX-L



Order no. **89075**

Components:

2 domestic sockets 16A, 230V ~
(system F - German earthing system)
2 CEE sockets 16A, 400V, 5p

Fuse:

2 C-type MCBs 16A, 1p
2 C-type MCBs 16A, 3p
1 RCCB 40/0.03A, 4p

Cable entry at top and bottom:
each with 1x M12, 1x M20, 2x M40

Connection option:
for 2 cables up to 5 x 25 mm²



VARIABOX-L



Order no. **89086**

Components:

2 domestic sockets 16A, 230V ~
(system F - German earthing system)
1 CEE socket 16A, 400V, 5p
1 CEE socket 32A, 400V, 5p

Fuse:

2 Neozed D01, 1p
1 Neozed D01, 3p
1 Neozed D02, 3p

Cable entry at top and bottom:
each with 1x M12, 1x M20, 2x M40

Connection option:
for 2 cables up to 5 x 25 mm²



VARIABOX-L



Order no. **89076**

Components:

2 domestic sockets 16A, 230V ~
(system F - German earthing system)
1 CEE socket 16A, 400V, 5p
1 CEE socket 32A, 400V, 5p

Fuse:

2 C-type MCBs 16A, 1p
1 C-type MCB 16A, 3p
1 C-type MCB 32A, 3p
1 RCCB 40/0.03A, 4p

Cable entry at top and bottom:
each with 1x M12, 1x M20, 2x M40

Connection option:
for 2 cables up to 5 x 25 mm²



VARIABOX-L



Order no. **89070**

Components:

3 domestic sockets 16A, 230V ~
(system F - German earthing system)
1 CEE socket 16A, 400V, 5p
1 CEE socket 32A, 400V, 5p

Fuse:

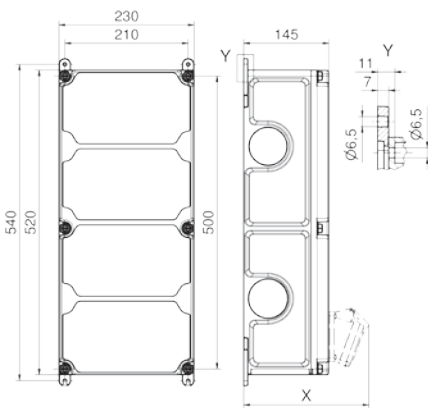
3 C-type MCBs 16A, 1p
1 C-type MCB 16A, 3p
1 C-type MCB 32A, 3p

Cable entry at top and bottom:
each with 1x M12, 1x M20, 2x M40

Connection option:
for 2 cables up to 5 x 25 mm²



- Wired ready for connection
- Protection degree IP44
- All distributors on this page with domestic sockets, German earthing



depth x in (mm)	with	IP44
180	OTC operating window	180
182	domestic socket	182
200	CEE 16A 3p	200
204	CEE 16A 4p	204
207	CEE 16A 5p	207
211	CEE 32A 3p/4p	211
213	CEE 32A 5p	213
229	CEE 63A 3p/4p/5p	229

- Dimension of enclosure: 520 x 230 mm
- Housing made of high-grade, impact-resistant plastic
- Hinged enclosure cover
- Top and bottom can be sealed together
- With external and internal fastening
- User-friendly OTC operating window
- Permanently attached cover screws
- Coded flange plate system for maximum safety during initial installation and maintenance
- Top section straight, CEE sockets angled
- All CEE sockets with screwless, maintenance-free QUICK-CONNECT technology
- Colours: bottom - black, top - electro-grey (enclosure top optionally available in the colours yellow, red, blue or silver)
- All combinations in accordance with the basic standard DIN EN 61439 (see main catalog page 14)

VARIABOX-XL



Order no. **89146**

Components:

- 2 domestic sockets 16A, 230V ~ (system F - German earthing system)
- 2 CEE sockets 32A, 400V, 5p

Fuse:

- 2 Neozed D01, 1p
- 2 Neozed D02, 3p

Cable entry at top and bottom:
each with 1x M12, 1x M20, 2x M40

Connection option:
for 2 cables up to 5 x 25 mm²



VARIABOX-XL



Order no. **89107**

Components:

- 3 domestic sockets 16A, 230V ~ (system F - German earthing system)
- 2 CEE sockets 32A, 400V, 5p

Fuse:

- 3 C-type MCBs 16A, 1p
- 2 C-type MCBs 32A, 3p
- 1 RCCB 63/0.03A, 4p

Cable entry at top and bottom:
each with 1x M12, 1x M20, 2x M40

Connection option:
for 2 cables up to 5 x 25 mm²



VARIABOX-XL



Order no. **89094**

Components:

- 2 domestic sockets 16A, 230V ~ (system F - German earthing system)
- 1 CEE socket 16A, 400V, 5p
- 1 CEE socket 32A, 400V, 5p

Fuse:

- 2 Neozed D01, 1p
- 1 Neozed D01, 3p
- 1 Neozed D02, 3p
- 1 RCCB 63/0.03A, 4p

Cable entry at top and bottom:
each with 1x M12, 1x M20, 2x M40

Connection option:
for 2 cables up to 5 x 25 mm²



VARIABOX-XL



Order no. **89099**

Components:

- 3 domestic sockets 16A, 230V ~ (system F - German earthing system)
- 1 CEE socket 16A, 400V, 5p
- 1 CEE socket 32A, 400V, 5p

Fuse:

- 3 C-type MCBs 16A, 1p
- 1 C-type MCB 16A, 3p
- 1 C-type MCB 32A, 3p
- 1 RCCB 63/0.03A, 4p

Cable entry at top and bottom:
each with 1x M12, 1x M20, 2x M40

Connection option:
for 2 cables up to 5 x 25 mm²



VARIABOX-XL



Order no. **89101**

Components:

- 4 domestic sockets 16A, 230V ~ (system F - German earthing system)
- 1 CEE socket 16A, 400V, 5p
- 1 CEE socket 32A, 400V, 5p

Fuse:

- 4 C-type MCBs 16A, 1p
- 1 C-type MCB 16A, 3p
- 1 C-type MCB 32A, 3p
- 1 RCCB 40/0.03A, 4p

Cable entry at top and bottom:
each with 1x M12, 1x M20, 2x M40

Connection option:
for 2 cables up to 5 x 25 mm²



VARIABOX-XL



Order no. **89095**

Components:

- 2 domestic sockets 16A, 230V ~ (system F - German earthing system)
- 1 CEE socket 16A, 400V, 5p
- 1 CEE socket 32A, 400V, 5p
- 1 CEE socket 63A, 400V, 5p

Fuse:

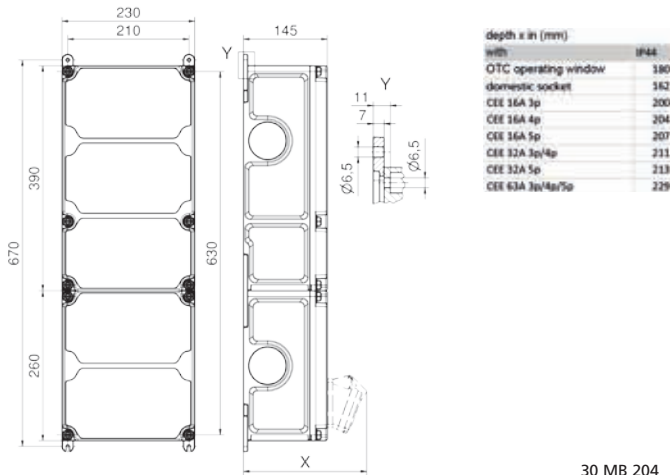
- 2 C-type MCBs 16A, 1p
- 1 C-type MCB 16A, 3p
- 1 C-type MCB 32A, 3p
- 1 RCCB 63/0.03A, 4p

Cable entry at top and bottom:
each with 1x M12, 1x M20, 2x M40

Connection option:
for 2 cables up to 5 x 25 mm²



- Wired ready for connection
- Protection degree IP44
- All distributors on this page with domestic sockets, German earthing



30 MB 204

- Dimension of enclosure: 650 x 230 mm
- Housing made of high-grade, impact-resistant plastic
- Hinged enclosure cover
- Top and bottom can be sealed together
- With external and internal fastening
- User-friendly OTC operating window
- Permanently attached cover screws
- Coded flange plate system for maximum safety during initial installation and maintenance
- Top section straight, CEE sockets angled
- All CEE sockets with screwless, maintenance-free QUICK-CONNECT technology
- Colours: bottom - black, top - electro-grey (enclosure top optionally available in the colours yellow, red, blue or silver)
- All combinations in accordance with the basic standard DIN EN 61439 (see main catalog page 14)

VARIABOX-XXL



Order no. **89127**

Components:

- 4 domestic sockets 16A, 230V ~ (system F - German earthing system)
- 3 CEE sockets 16A, 400V, 5p

Fuse:

- 4 C-type MCBs 16A, 1p
- 3 C-type MCBs 16A, 3p
- 1 RCCB 63/0.03A, 4p

Cable entry at top and bottom:
each with 1x M12, 1x M20, 2x M40

Connection option:
for 2 cables up to 5 x 25 mm²

VARIABOX-XXL



Order no. **89122**

Components:

- 6 CEE sockets 16A, 230V, 3p

Fuse:

- 6 C-type MCBs 16A, 1p
- 6 RCCB 25/0.03A, 2p

Cable entry at top and bottom:
each with 1x M12, 1x M20, 2x M40

Connection option:
for 2 cables up to 5 x 25 mm²

VARIABOX-XXL



Order no. **89120**

Components:

- 6 domestic sockets 16A, 230V ~ (system F - German earthing system)
- 1 CEE socket 16A, 400V, 5p
- 1 CEE socket 32A, 400V, 5p

Fuse:

- 6 C-type MCBs 16A, 1p
- 1 C-type MCB 16A, 3p
- 1 C-type MCB 32A, 3p
- 1 RCCB 63/0.03A, 4p

Cable entry at top and bottom:
each with 1x M12, 1x M20, 2x M40

Connection option:
for 2 cables up to 5 x 25 mm²

VARIABOX-XXL



Order no. **89119**

Components:

- 4 domestic sockets 16A, 230V ~ (system F - German earthing system)
- 2 CEE sockets 16A, 400V, 5p
- 1 CEE socket 32A, 400V, 5p

Fuse:

- 4 C-type MCBs 16A, 1p
- 2 C-type MCBs 16A, 3p
- 1 C-type MCB 32A, 3p
- 1 RCCB 63/0.03A, 4p

Cable entry at top and bottom:
each with 1x M12, 1x M20, 2x M40

Connection option:
for 2 cables up to 5 x 25 mm²

VARIABOX-XXL



Order no. **89142**

Components:

- 3 domestic sockets 16A, 230V ~ (system F - German earthing system)
- 2 CEE sockets 16A, 400V, 5p
- 2 CEE sockets 32A, 400V, 5p

Fuse:

- 3 C-type MCBs 16A, 1p
- 2 C-type MCBs 16A, 3p
- 2 C-type MCBs 32A, 3p
- 1 RCCB 63/0.03A, 4p

Cable entry at top and bottom:
each with 1x M12, 1x M20, 2x M40

Connection option:
for 2 cables up to 5 x 25 mm²

VARIABOX-XXL



Order no. **89123**

Components:

- 2 domestic sockets 16A, 230V ~ (system F - German earthing system)
- 1 CEE socket 16A, 400V, 5p
- 1 CEE socket 32A, 400V, 5p
- 1 CEE socket 63A, 400V, 5p

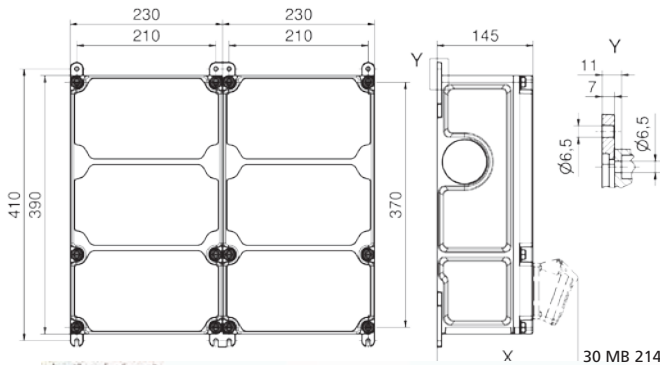
Fuse:

- 2 C-type MCBs 16A, 1p
- 1 C-type MCB 16A, 3p
- 1 C-type MCB 32A, 3p
- 1 Neozed D02, 3p
- 1 RCCB 63/0.03A, 4p

Cable entry at top and bottom:
each with 1x M12, 1x M20, 2x M40

Connection option:
for 2 cables up to 5 x 25 mm²

- Wired ready for connection
- Protection degree IP44
- All distributors on this page with domestic sockets, German earthing



depth x in (mm)

with	IP44	with	IP44
OTC operating window	180	CEE 16A 5p	207
domestic socket	162	CEE 32A 3p/4p	211
CEE 16A 3p	200	CEE 32A 5p	213
CEE 16A 4p	204	CEE 63A 3p/4p/5p	229

- Dimension of enclosure: 390 x 460 mm
- Housing made of high-grade, impact-resistant plastic
- Hinged enclosure cover
- Top and bottom can be sealed together
- With external and internal fastening
- User-friendly OTC operating window
- Permanently attached cover screws
- Coded flange plate system for maximum safety during initial installation and maintenance
- Top section straight, CEE sockets angled
- All CEE sockets with screwless, maintenance-free QUICK-CONNECT technology
- Colours: bottom - black, top - electro-grey (enclosure top optionally available in the colours yellow, red, blue or silver)
- All combinations in accordance with the basic standard DIN EN 61439 (see main catalog page 14)

VARIABOX-L DUO



Order no. **89128**

Components:

- 4 domestic sockets 16A, 230V ~ (system F - German earthing system)
- 3 CEE sockets 16A, 400V, 5p

Fuse:

- 4 Neozed D01, 1p
- 3 Neozed D01, 3p

Cable entry at top and bottom:
each with 1x M12, 1x M20, 2x M40

Connection option:
for 2 cables up to 5 x 25 mm²

VARIABOX-L DUO



Order no. **89129**

Components:

- 4 domestic sockets 16A, 230V ~ (system F - German earthing system)

- 1 CEE socket 16A, 230V, 3p
- 1 CEE socket 16A, 400V, 5p
- 1 CEE socket 32A, 400V, 5p

Fuse:

- 5 Neozed D01, 1p
- 1 Neozed D01, 3p
- 1 Neozed D02, 3p
- 1 RCCB 63/0.03A, 4p

Cable entry at top and bottom:
each with 1x M12, 1x M20, 2x M40

Connection option:
for 2 cables up to 5 x 25 mm²

VARIABOX-L DUO



Order no. **89134**

Components:

- 4 domestic sockets 16A, 230V ~ (system F - German earthing system)
- 2 CEE sockets 16A, 400V, 5p
- 1 CEE socket 32A, 400V, 5p

Fuse:

- 4 Neozed D01, 1p
- 2 Neozed D01, 3p
- 1 Neozed D02, 3p
- 1 RCCB 63/0.03A, 4p

Cable entry at top and bottom:
each with 1x M12, 1x M20, 2x M40

Connection option:
for 2 cables up to 5 x 25 mm²

VARIABOX-L DUO



Order no. **890083**

Components:

- 4 domestic sockets 16A, 230V ~ (system F - German earthing system)

- 1 CEE socket 16A, 400V, 5p
- 1 CEE socket 32A, 400V, 5p
- 1 CEE socket 63A, 400V, 5p
- 1 double data socket RJ45 CAT6 IP55

Fuse:

- 4 C-type MCBs 16A, 1p
- 1 C-type MCB 16A, 3p
- 1 C-type MCB 32A, 3p
- 1 C-type MCB 63A, 3p
- 1 RCCB 63/0.03A, 4p

Cable entry at top and bottom:
each with 2x M20, 2x M40

Connection option:
for 2 cables up to 5 x 25 mm²

VARIABOX-L DUO



Order no. **89148**

Components:

- 6 domestic sockets 16A, 230V ~ (system F - German earthing system)
- 1 CEE socket 16A, 400V, 5p
- 1 CEE socket 32A, 400V, 5p
- 1 CEE socket 63A, 400V, 5p

Fuse:

- 3 Neozed D01, 1p
- 1 Neozed D01, 3p
- 1 Neozed D02, 3p
- 1 RCCB 63/0.03A, 4p

Cable entry at top and bottom:
1x M12, 1x M20, 2x M40

Connection option:
for 2 cables up to 5 x 25 mm²

VARIABOX-L DUO



Order no. **89987**

Components:

- 10 domestic sockets 16A, 230V ~ (system F - German earthing system)

- 1 CEE socket 16A, 400V, 5p
- 1 CEE socket 32A, 400V, 5p

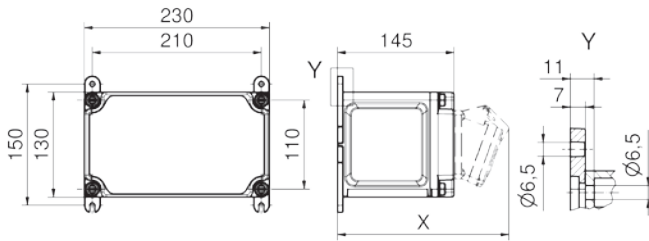
Fuse:

- 10 C-type MCBs 16A, 1p
- 1 C-type MCB 16A, 3p
- 1 C-type MCB 32A, 3p
- 1 RCCB 63/0.03A, 4p

Cable entry at top and bottom:
each with 1x M12, 1x M20, 2x M40

Connection option:
for 2 cables up to 5 x 25 mm²

- Wired ready for connection
- Protection degree IP44
- All distributors on this page with domestic sockets, German earthing



depth x in (mm)		30 MB 208	
with	IP67	with	IP67
OTC operating window	180	CEE 16A 5p	205
domestic socket	205	CEE 32A 3p/4p	213
CEE 16A 3p	200	CEE 32A 5p	214
CEE 16A 4p	202	CEE 63A 3p/4p/5p	231

- Dimension of enclosure: 130 x 230 mm
- Housing made of high-grade, impact-resistant plastic
- Top and bottom can be sealed together
- With external and internal fastening
- Permanently attached cover screws
- Top section straight, CEE sockets angled
- All CEE sockets with screwless, maintenance-free QUICK-CONNECT technology
- Colours: bottom - black, top - electro-grey (enclosure top optionally available in the colours yellow, red, blue or silver)
- All combinations in accordance with the basic standard DIN EN 61439 (see main catalog page 14)

VARIABOX-S IP67

Order no. **890919**

Components:

2 domestic sockets 16A, 230V ~
(system F - German earthing system)

Cable entry at top and bottom:
each with 1x M12, 1x M20, 2x M25

Connection option:
for 1 cable up to 3 x 4 mm²



VARIABOX-S IP67

Order no. **890920**

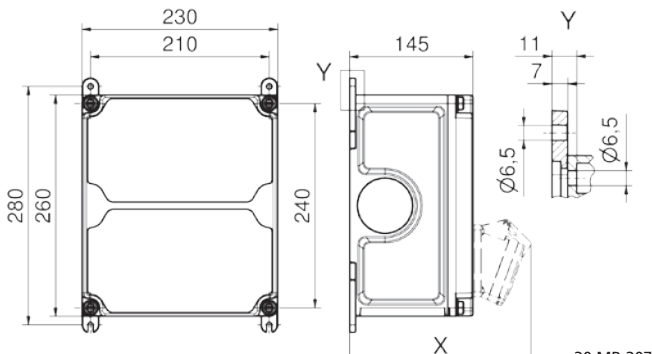
Components:

1 domestic socket 16A, 230V
(system F - German earthing system)

1 CEE socket 16A, 400V, 5p

Cable entry at top and bottom:
each with 1x M12, 1x M20, 2x M25

Connection option:
for 1 cable up to 5 x 4 mm²



depth x in (mm)		30 MB 207	
with	IP67	with	IP67
OTC operating window	180	CEE 16A 5p	205
domestic socket	205	CEE 32A 3p/4p	213
CEE 16A 3p	200	CEE 32A 5p	214
CEE 16A 4p	202	CEE 63A 3p/4p/5p	231

- Dimension of enclosure: 260 x 230 mm
- Housing made of high-grade, impact-resistant plastic
- Hinged enclosure cover
- Top and bottom can be sealed together
- With external and internal fastening
- User-friendly OTC operating window
- Permanently attached cover screws
- Coded flange plate system for maximum safety during initial installation and maintenance
- Top section straight, CEE sockets angled
- All CEE sockets with screwless, maintenance-free QUICK-CONNECT technology
- Colours: bottom - black, top - electro-grey (enclosure top optionally available in the colours yellow, red, blue or silver)
- All combinations in accordance with the basic standard DIN EN 61439 (see main catalog page 14)

VARIABOX-M IP67

Order no. **890921**

Components:

1 domestic socket 16A, 230V
(system F - German earthing system)

1 CEE socket 16A, 400V, 5p

Fuse:

1 C-type MCB 16A, 1p
1 C-type MCB 16A, 3p
1 RCCB 40/0.03A, 4p

Cable entry at top and bottom:
each with 1x M12, 1x M20, 2x M40

Connection option:
for 2 cables up to 5 x 25 mm²



VARIABOX-M IP67

Order no. **890922**

Components:

1 domestic socket 16A, 230V
(system F - German earthing system)

1 CEE socket 32A, 400V, 5p

Fuse:

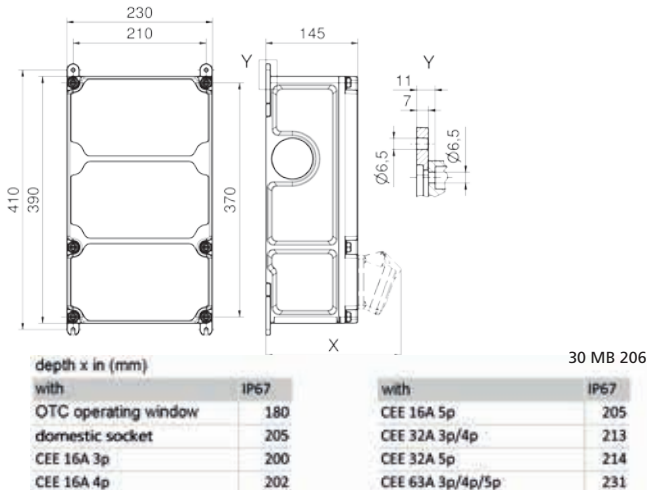
1 C-type MCB 16A, 1p
1 C-type MCB 32A, 3p
1 RCCB 40/0.03A, 4p

Cable entry at top and bottom:
each with 1x M12, 1x M20, 2x M40

Connection option:
for 2 cables up to 5 x 25 mm²



- Wired ready for connection
- Protection degree IP44
- All distributors on this page with domestic sockets, German earthing



- Dimension of enclosure: 390 x 230 mm
- Housing made of high-grade, impact-resistant plastic
- Hinged enclosure cover
- Top and bottom can be sealed together
- With external and internal fastening
- User-friendly OTC operating window
- Permanently attached cover screws
- Coded flange plate system for maximum safety during initial installation and maintenance
- Top section straight, CEE sockets angled
- All CEE sockets with screwless, maintenance-free QUICK-CONNECT technology
- Colours: bottom - black , top - electro-grey (enclosure top optionally available in the colours yellow, red, blue or silver)
- All combinations in accordance with the basic standard DIN EN 61439 (see main catalog page 14)

VARIABOX-L IP67



Order no. **890923**

Components:

- 2 domestic sockets 16A, 230V ~ (system F - German earthing system)
- 1 CEE socket 16A, 400V, 5p
- 1 CEE socket 32A, 400V, 5p

Fuse:

- 2 C-type MCBs 16A, 1p
- 1 C-type MCB 16A, 3p
- 1 RCCB 40/0.03A, 4p

Cable entry at top and bottom:
each with 1x M12, 1x M20, 2x M40

Connection option:
for 2 cables up to 5 x 25 mm²

VARIABOX-L IP67



Order no. **890924**

Components:

- 2 domestic sockets 16A, 230V ~ (system F - German earthing system)
- 1 CEE socket 16A, 400V, 5p
- 1 CEE socket 32A, 400V, 5p

Fuse:

- 2 C-type MCBs 16A, 1p
- 1 C-type MCB 16A, 3p
- 1 C-type MCB 32A, 3p

Cable entry at top and bottom:
each with 1x M12, 1x M20, 2x M40

Connection option:
for 2 cables up to 5 x 25 mm²

VARIABOX-L IP67



Order no. **890925**

Components:

- 3 domestic sockets 16A, 230V ~ (system F - German earthing system)
- 1 CEE socket 16A, 400V, 5p

Fuse:

- 3 C-type MCBs 16A, 1p
- 1 C-type MCB 16A, 3p
- 1 RCCB 40/0.03A, 4p

Cable entry at top and bottom:
each with 1x M12, 1x M20, 2x M40

Connection option:
for 2 cables up to 5 x 25 mm²

VARIABOX-L IP67



Order no. **890926**

Components:

- 3 domestic sockets 16A, 230V ~ (system F - German earthing system)
- 1 CEE socket 32A, 400V, 5p

Fuse:

- 3 C-type MCBs 16A, 1p
- 1 C-type MCB 32A, 3p
- 1 RCCB 40/0.03A, 4p

Cable entry at top and bottom:
each with 1x M12, 1x M20, 2x M40

Connection option:
for 2 cables up to 5 x 25 mm²

VARIABOX-L IP67



Order no. **890927**

Components:

- 2 domestic sockets 16A, 230V ~ (system F - German earthing system)
- 2 CEE sockets 16A, 400V, 5p

Fuse:

- 2 C-type MCBs 16A, 1p
- 2 C-type MCBs 16A, 3p

Cable entry at top and bottom:
each with 1x M12, 1x M20, 2x M40

Connection option:
for 2 cables up to 5 x 25 mm²

VARIABOX-L IP67



Order no. **890928**

Components:

- 2 domestic sockets 16A, 230V ~ (system F - German earthing system)
- 2 CEE sockets 32A, 400V, 5p

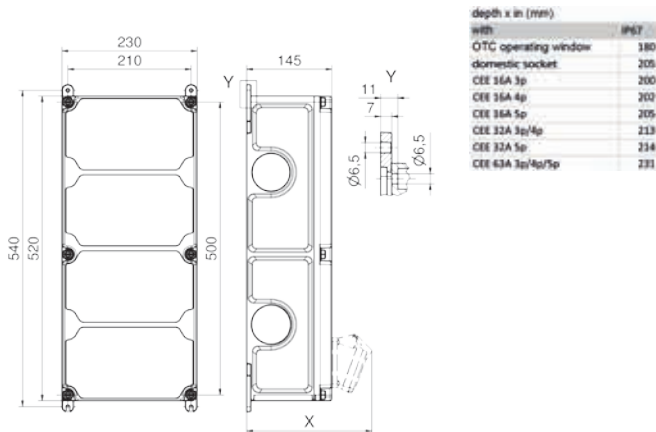
Fuse:

- 2 C-type MCBs 16A, 1p
- 2 C-type MCBs 32A, 3p

Cable entry at top and bottom:
each with 1x M12, 1x M20, 2x M40

Connection option:
for 2 cables up to 5 x 25 mm²

- Wired ready for connection
- Protection degree IP44
- All distributors on this page with domestic sockets, German earthing



30 MB 205

- Dimension of enclosure: 520 x 230 mm
- Housing made of high-grade, impact-resistant plastic
- Hinged enclosure cover
- Top and bottom can be sealed together
- With external and internal fastening
- User-friendly OTC operating window
- Permanently attached cover screws
- Coded flange plate system for maximum safety
- during initial installation and maintenance
- Top section straight, CEE sockets angled
- All CEE sockets with screwless, maintenance-free QUICK-CONNECT technology
- Colours: bottom - black, top - electro-grey (enclosure top optionally available in the colours yellow, red, blue or silver)
- All combinations in accordance with the basic standard DIN EN 61439 (see main catalog page 14)

VARIABOX-XL IP67



Order no. **890929**

Components:

- 2 domestic sockets 16A, 230V ~ (system F - German earthing system)
- 1 CEE socket 16A, 400V, 5p
- 1 CEE socket 32A, 400V, 5p

Fuse:

- 2 C-type MCBs 16A, 1p
- 1 C-type MCB 16A, 3p
- 1 C-type MCB 32A, 3p
- 1 RCCB 40/0.03A, 4p

Cable entry at top and bottom:
each with 1x M12, 1x M20, 2x M40

Connection option:
for 2 cables up to 5 x 25 mm²

VARIABOX-XL IP67



Order no. **890930**

Components:

- 2 domestic sockets 16A, 230V ~ (system F - German earthing system)
- 1 CEE socket 16A, 400V, 5p
- 1 CEE socket 32A, 400V, 5p

Fuse:

- 2 C-type MCBs 16A, 1p
- 1 C-type MCB 16A, 3p
- 1 C-type MCB 32A, 3p
- 1 RCCB 63/0.03A, 4p

Cable entry at top and bottom:
each with 1x M12, 1x M20, 2x M40

Connection option:
for 2 cables up to 5 x 25 mm²

VARIABOX-XL IP67



Order no. **890931**

Components:

- 3 domestic sockets 16A, 230V ~ (system F - German earthing system)
- 1 CEE socket 16A, 400V, 5p
- 1 CEE socket 32A, 400V, 5p

Fuse:

- 3 C-type MCBs 16A, 1p
- 1 C-type MCB 16A, 3p
- 1 C-type MCB 32A, 3p
- 1 RCCB 63/0.03A, 4p

Cable entry at top and bottom:
each with 1x M12, 1x M20, 2x M40

Connection option:
for 2 cables up to 5 x 25 mm²

VARIABOX-XL IP67



Order no. **890932**

Components:

- 2 domestic sockets 16A, 230V ~ (system F - German earthing system)
- 2 CEE sockets 16A, 400V, 5p

Fuse:

- 2 C-type MCBs 16A, 1p
- 2 C-type MCBs 16A, 3p
- 1 RCCB 40/0.03A, 4p

Cable entry at top and bottom:
each with 1x M12, 1x M20, 2x M40

Connection option:
for 2 cables up to 5 x 25 mm²

VARIABOX-XL IP67



Order no. **890933**

Components:

- 2 domestic sockets 16A, 230V ~ (system F - German earthing system)
- 2 CEE sockets 32A, 400V, 5p

Fuse:

- 2 C-type MCBs 16A, 1p
- 2 C-type MCBs 32A, 3p
- 1 C-type MCB 32A, 3p
- 1 RCCB 63/0.03A, 4p

Cable entry at top and bottom:
each with 1x M12, 1x M20, 2x M40

Connection option:
for 2 cables up to 5 x 25 mm²

VARIABOX-XL IP67



Order no. **890934**

Components:

- 3 domestic sockets 16A, 230V ~ (system F - German earthing system)
- 2 CEE sockets 16A, 400V, 5p

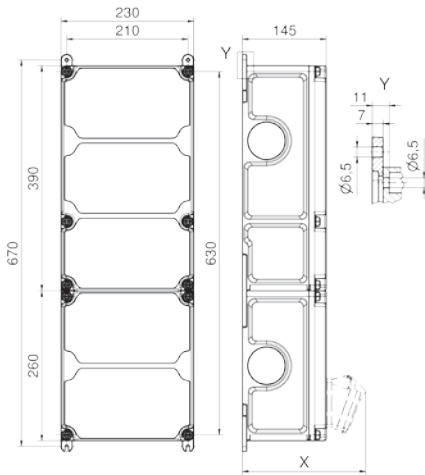
Fuse:

- 3 C-type MCBs 16A, 1p
- 2 C-type MCBs 16A, 3p
- 1 C-type MCB 32A, 3p
- 1 RCCB 40/0.03A, 4p

Cable entry at top and bottom:
each with 1x M12, 1x M20, 2x M40

Connection option:
for 2 cables up to 5 x 25 mm²

- Wired ready for connection
- Protection degree IP44
- All distributors on this page with domestic sockets, German earthing



depth x in (mm)	IP67
with OTC operating window	180
domestic socket	205
CEE 16A 3p	200
CEE 16A 4p	202
CEE 16A 5p	205
CEE 32A 3p/4p	213
CEE 32A 5p	214
CEE 63A 3p/4p/5p	233

- Dimension of enclosure: 650 x 230 mm
- Housing made of high-grade, impact-resistant plastic
- Hinged enclosure cover
- Top and bottom can be sealed together
- With external and internal fastening
- User-friendly OTC operating window
- Permanently attached cover screws
- Coded flange plate system for maximum safety during initial installation and maintenance
- Top section straight, CEE sockets angled
- All CEE sockets with screwless, maintenance-free QUICK-CONNECT technology
- Colours: bottom - black, top - electro-grey (enclosure top optionally available in the colours yellow, red, blue or silver)
- All combinations in accordance with the basic standard DIN EN 61439 (see main catalog page 14)

30 MB 204

VARIABOX-XXL IP67



Order no. **890935**

Components:

2 domestic sockets 16A, 230V ~
(system F - German earthing system)

1 CEE socket 16A, 400V, 5p
1 CEE socket 32A, 400V, 5p
1 CEE socket 63A, 400V, 5p

Fuse:

2 C-type MCBs 16A, 1p
1 C-type MCB 16A, 3p
1 C-type MCB 32A, 3p
1 RCCB 63/0.03A, 4p

Cable entry at top and bottom:
each with 1x M12, 1x M20, 2x M40

Connection option:
for 2 cables up to 5 x 25 mm²

VARIABOX-XXL IP67



Order no. **890936**

Components:

3 domestic sockets 16A, 230V ~
(system F - German earthing system)

2 CEE sockets 16A, 400V, 5p
1 CEE socket 32A, 400V, 5p

Fuse:

3 C-type MCBs 16A, 1p
2 C-type MCBs 16A, 3p
1 C-type MCB 32A, 3p
1 RCCB 63/0.03A, 4p

Cable entry at top and bottom:
each with 1x M12, 1x M20, 2x M40

Connection option:
for 2 cables up to 5 x 25 mm²

VARIABOX-XXL IP67



Order no. **890937**

Components:

3 domestic sockets 16A, 230V ~
(system F - German earthing system)

1 CEE socket 16A, 400V, 5p
1 CEE socket 32A, 400V, 5p
1 CEE socket 63A, 400V, 5p

Fuse:

3 C-type MCBs 16A, 1p
1 C-type MCB 16A, 3p
1 C-type MCB 32A, 3p
1 RCCB 63/0.03A, 4p

Cable entry at top and bottom:
each with 1x M12, 1x M20, 2x M40

Connection option:
for 2 cables up to 5 x 25 mm²

VARIABOX-XXL IP67



Order no. **890938**

Components:

3 domestic sockets 16A, 230V ~
(system F - German earthing system)

1 CEE socket 16A, 400V, 5p
2 CEE sockets 32A, 400V, 5p

Fuse:

3 C-type MCBs 16A, 1p
1 C-type MCB 16A, 3p
2 C-type MCBs 32A, 3p
1 RCCB 63/0.03A, 4p

Cable entry at top and bottom:
each with 1x M12, 1x M20, 2x M40

Connection option:
for 2 cables up to 5 x 25 mm²

VARIABOX-XXL IP67



Order no. **890939**

Components:

2 domestic sockets 16A, 230V ~
(system F - German earthing system)

2 CEE sockets 16A, 400V, 5p
1 CEE socket 32A, 400V, 5p
1 CEE socket 63A, 400V, 5p

Fuse:

1 C-type MCB 16A, 1p
2 C-type MCBs 16A, 3p
1 C-type MCB 32A, 3p
1 RCCB 63/0.03A, 4p

Cable entry at top and bottom:
each with 1x M12, 1x M20, 2x M40

Connection option:
for 2 cables up to 5 x 25 mm²

VARIABOX-XXL IP67



Order no. **890940**

Components:

2 domestic sockets 16A, 230V ~
(system F - German earthing system)

1 CEE socket 16A, 400V, 5p
1 CEE socket 32A, 400V, 5p
1 CEE socket 63A, 400V, 5p

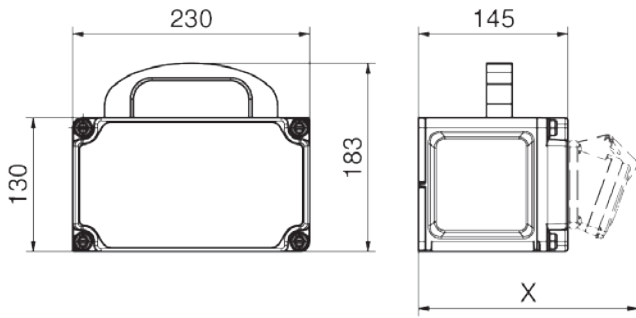
Fuse:

2 C-type MCBs 16A, 1p
1 C-type MCB 16A, 3p
1 C-type MCB 32A, 3p
1 C-type MCB 63A, 3p
1 RCCB 63/0.03A, 4p

Cable entry at top and bottom:
each with 1x M12, 1x M20, 2x M40

Connection option:
for 2 cables up to 5 x 25 mm²

- Protection degree IP44
- All distributors on this page with domestic sockets, German earthing



depth x in (mm)		30 MB 208	
with	IP44	with	IP44
OTC operating window	180	CEE 16A 5p	207
domestic socket	162	CEE 32A 3p/4p	211
CEE 16A 3p	200	CEE 32A 5p	213
CEE 16A 4p	204	CEE 63A 3p/4p/5p	229

- Dimension of enclosure: 130 x 230 mm
- With high quality handle
- Housing made of high-grade, impact-resistant plastic
- Top and bottom can be sealed together
- Permanently attached cover screws
- Top section straight, CEE sockets angled
- All CEE sockets with screwless, maintenance-free QUICK-CONNECT technology
- Colours: bottom - black, top - electro-grey (enclosure top optionally available in the colours yellow, red, blue or silver)
- All combinations in accordance with the basic standard DIN EN 61439 (see main catalog page 14)

VARIABOX-S Mobil

Order no. **85000**

Components:

3 domestic sockets 16A, 230V ~
(system F - German earthing system)

Cable entry:

Domestic plug 16A, 230V
with 2 m lead H07RN-F3G2,5



VARIABOX-S Mobil

Order no. **85006**

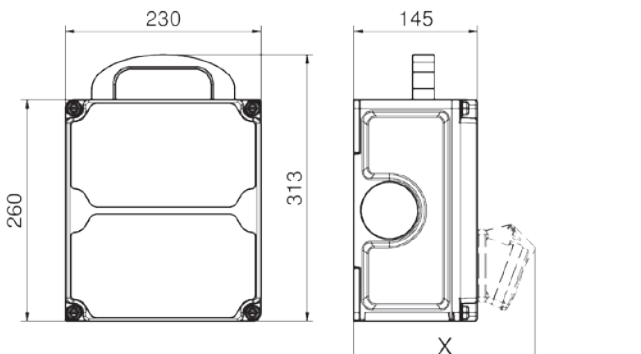
Components:

2 domestic sockets 16A, 230V ~
(system F - German earthing system)

1 CEE socket 16A, 400V, 5p

Cable entry:

CEE plug 16A, 400V, 5p with
2 m cable H07RN-F5G2,5



depth x in (mm)		30 MB 212	
with	IP44	with	IP44
OTC operating window	180	CEE 16A 5p	207
domestic socket	162	CEE 32A 3p/4p	211
CEE 16A 3p	200	CEE 32A 5p	213
CEE 16A 4p	204	CEE 63A 3p/4p/5p	229

- Dimension of enclosure: 260 x 230 mm
- With high quality handle
- Housing made of high-grade, impact-resistant plastic
- Top and bottom can be sealed together
- User-friendly OTC operating window
- Permanently attached cover screws
- Coded flange plate system for maximum safety during initial installation and maintenance
- Top section straight, CEE sockets angled
- All CEE sockets with screwless, maintenance-free QUICK-CONNECT technology
- Colours: bottom - black, top - electro-grey (enclosure top optionally available in the colours yellow, red, blue or silver)
- All combinations in accordance with the basic standard DIN EN 61439 (see main catalog page 14)

VARIABOX-M Mobil

Order no. **85007**

Components:

2 domestic sockets 16A, 230V ~
(system F - German earthing system)

1 CEE socket 16A, 400V, 5p

Fuse:

2 C-type MCBs 16A, 1p
1 C-type MCB 16A, 3p
1 RCCB 40/0.03A, 4p

Cable entry:

CEE plug 32A, 400V, 5p with
2 m cable H07RN-F5G4



VARIABOX-M Mobil

Order no. **85002**

Components:

3 domestic sockets 16A, 230V ~
(system F - German earthing system)

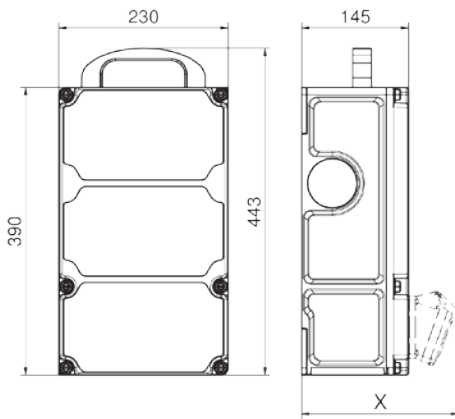
2 CEE sockets 16A, 400V, 5p

Cable entry:

CEE plug 16A, 400V, 5p with
2 m cable H07RN-F5G2,5



- Protection degree IP44
- All distributors on this page with domestic sockets, German earthing



depth x in (mm)	
with	IP44
OTC operating window	180
domestic socket	162
CEE 16A 3p	200
CEE 16A 4p	204
CEE 16A 5p	207
CEE 32A 3p/4p	211
CEE 32A 5p	213
CEE 63A 3p/4p/5p	229

- Dimension of enclosure: 390 x 230 mm
- With high quality handle
- Housing made of high-grade, impact-resistant plastic
- Top and bottom can be sealed together
- User-friendly OTC operating window
- Permanently attached cover screws
- Coded flange plate system for maximum safety during initial installation and maintenance
- Top section straight, CEE sockets angled
- All CEE sockets with screwless, maintenance-free QUICK-CONNECT technology
- Colours: bottom - black, top - electro-grey (enclosure top optionally available in the colours yellow, red, blue or silver)
- All combinations in accordance with the basic standard DIN EN 61439 (see main catalog page 14)

30 MB 211

VARIABOX-L Mobil



Order no. **85008**

Components:

- 2 domestic sockets 16A, 230V ~ (system F - German earthing system)
- 1 CEE socket 16A, 400V, 5p
- 1 CEE socket 32A, 400V, 5p

Fuse:

- 2 C-type MCBs 16A, 1p
- 1 C-type MCB 16A, 3p
- 1 RCCB 40/0.03A, 4p

Cable entry:

- CEE plug 32A, 400V, 5p with 2 m cable H07RN-F5G6

VARIABOX-L Mobil



Order no. **85036**

Components:

- 6 domestic sockets 16A, 230V ~ (system F - German earthing system)

Fuse:

- 6 C-type MCBs 16A, 1p
- 1 RCCB 40/0.03A, 4p

Cable entry:

- CEE plug 32A, 400V, 5p with 2 m cable H07RN-F5G4

VARIABOX-L Mobil



Order no. **85009**

Components:

- 3 domestic sockets 16A, 230V ~ (system F - German earthing system)
- 1 CEE socket 16A, 400V, 5p
- 1 CEE socket 32A, 400V, 5p

Fuse:

- 3 C-type MCBs 16A, 1p
- 1 C-type MCB 16A, 3p
- 1 RCCB 40/0.03A, 4p

Cable entry:

- CEE plug 32A, 400V, 5p with 2 m cable H07RN-F5G6

VARIABOX-L Mobil



Order no. **85016**

Components:

- 3 domestic sockets 16A, 230V ~ (system F - German earthing system)
- 1 CEE socket 16A, 400V, 5p

Fuse:

- 3 C-type MCBs 16A, 1p
- 1 C-type MCB 16A, 3p
- 1 RCCB 40/0.03A, 4p

Cable entry:

- CEE plug 32A, 400V, 5p with 2 m cable H07RN-F5G4

VARIABOX-L Mobile



Order no. **85034**

Components:

- 4 domestic sockets 16A, 230V ~ (system F - German earthing system)
- 1 CEE socket 16A, 400V, 5p
- 1 CEE socket 32A, 400V, 5p

Fuse:

- 4 C-type MCBs 16A, 1p
- 1 C-type MCB 16A, 3p
- 1 RCCB 40/0.03A, 4p

Cable entry:

- CEE plug 32A, 400V, 5p with 2 m cable H07RN-F5G6

VARIABOX-L Mobile



Order no. **85005**

Components:

- 6 domestic sockets 16A, 230V ~ (system F - German earthing system)

Fuse:

- 1 RCCB 40/0.03A, 4p

Cable entry:

- CEE plug 16A, 400V, 5p with 2 m cable H07RN-F5G2,5

Accessories for

Cable gland

- Black
- Protection type IP67



	Thread	Sealing range	Order No.
	M12	3-6 mm	580647
	M20	8-13 mm	580648
	M25	11-17 mm	580649
	M32	15-21 mm	580650
	M40	19-28 mm	580651
Multiple sealing insert	for M25	2x8 mm	580652
	for M32	4x8 mm	580653

Cable gland with pressure equalisation

The use of pressure equalisation cable glands allows the internal pressure to adjust to the ambient pressure. The type-tested protection degree of the enclosure is fully retained. Temperature fluctuations, intense sunlight, or a sudden change in weather can cause condensation to form in combination enclosures. Basically, condensation can form in all sealed combination enclosures. The higher the protection degree is, the more likely the formation of condensation will be. We therefore recommend, especially in the case of distributors with protection degree IP67, the use of pressure equalisation cable glands.



- Minimised condensation formation and therefore reduction in downtimes and time-consuming and expensive repair work
- No expensive and high-maintenance ventilation technology required
- No drip holes which reduce the level of protection
- With air ducts for pressure equalisation
- Black
- Protection degree IP67

	Thread	Sealing range	Order No.
	M20	6-13 mm	580656
	M25	9-17 mm	580657
	M32	13-21 mm	580658
	M40	16-28 mm	580659

Mounting set



- For VARIABOX S - XL
- Consisting of:
 - 4 screws 6 x 60 mm
 - 4 screw anchors 8 x 51 mm

Order no. **580640**

- For VARIABOX XXL
- Consisting of:
 - 6 screws 6 x 60 mm
 - 6 screw anchors 8 x 51 mm

Order no. **580727**

Lock set



- For OTC window
- With long shackle and 2 keys

Order no. **580642**

Portable stand



- For VARIABOX M, L, XL
- Hot-dip galvanised steel tubing
- Folding
- Weight 4 kg
- Dimensions: 350/570 x 780 x 540 mm (W x H x D)

Order no. **580643**

Wall-mounted unit

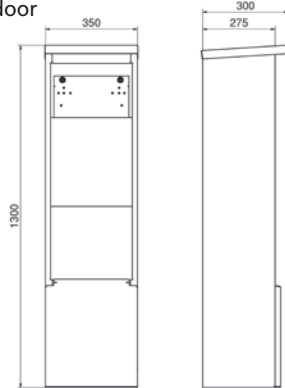


- For VARIABOX M and L

Order no. **580641**

Accessories for

Power-Port floor-standing distributor without door



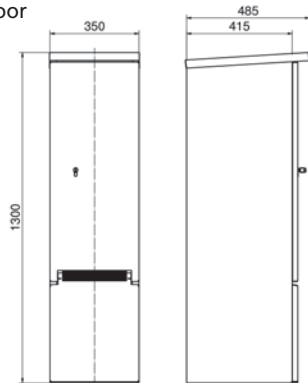
45 MB 59



- Housing made of high-quality V2A stainless steel
- Ground metal surface
- Moveable panel for concealing cables
- Base plate suitable for pedestal mounting
- Available in different colours (optional)

Order no. **580589**

Power-Port floor-standing distributor with door



45 MB 55



- Housing made of high-quality V2A stainless steel
- Ground metal surface
- Moveable panel for concealing cables
- Base plate suitable for pedestal mounting
- Door with box lock and single profile cylinder, internal hinges
- Brush seal prevents dirt and dust from entering when door is closed
- Outgoing cables can be guided out through brush-sealed opening on front side
- Available in different colours (optional)

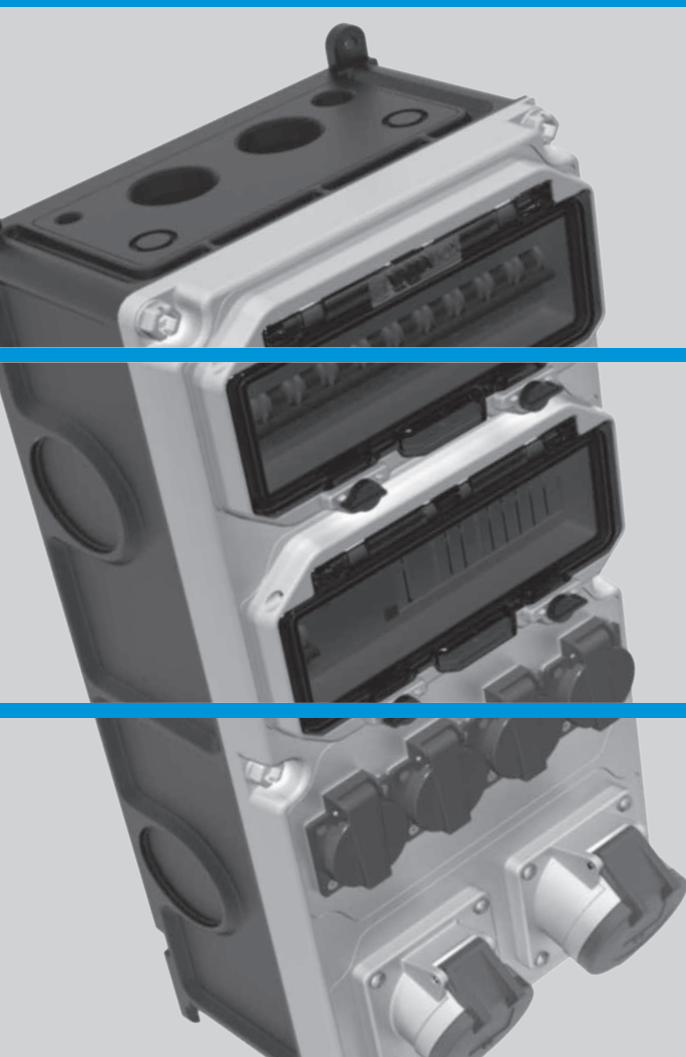
Order no. **580508**

Protective rain canopy

- Housing made of high-quality V2A stainless steel
- With side panels
- Ground metal surface
- Mounting plate for fitting VARIABOXES
- Available in RAL colours (optional)



Dimensions (mm)	for VARIABOX	Order no.
545x286x328	S, M, L	580511
792x286x328	XL, XXL	580529
662x516x328	L DUO, XL DUO	580521



Bals Elektrotechnik GmbH & Co. KG
D-57399 Kirchhundem-Albaum
Phone: +49 27 23/771-0 · Fax: +49 27 23/771-177/178
E-mail: info@bals.com · Internet: www.bals.com