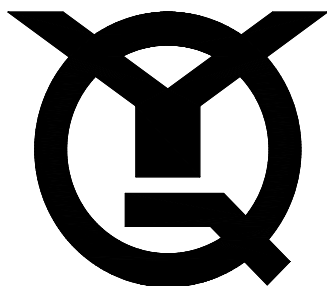


如有更改事宜恕不另行通知

The parts companion is subject to change without notice.



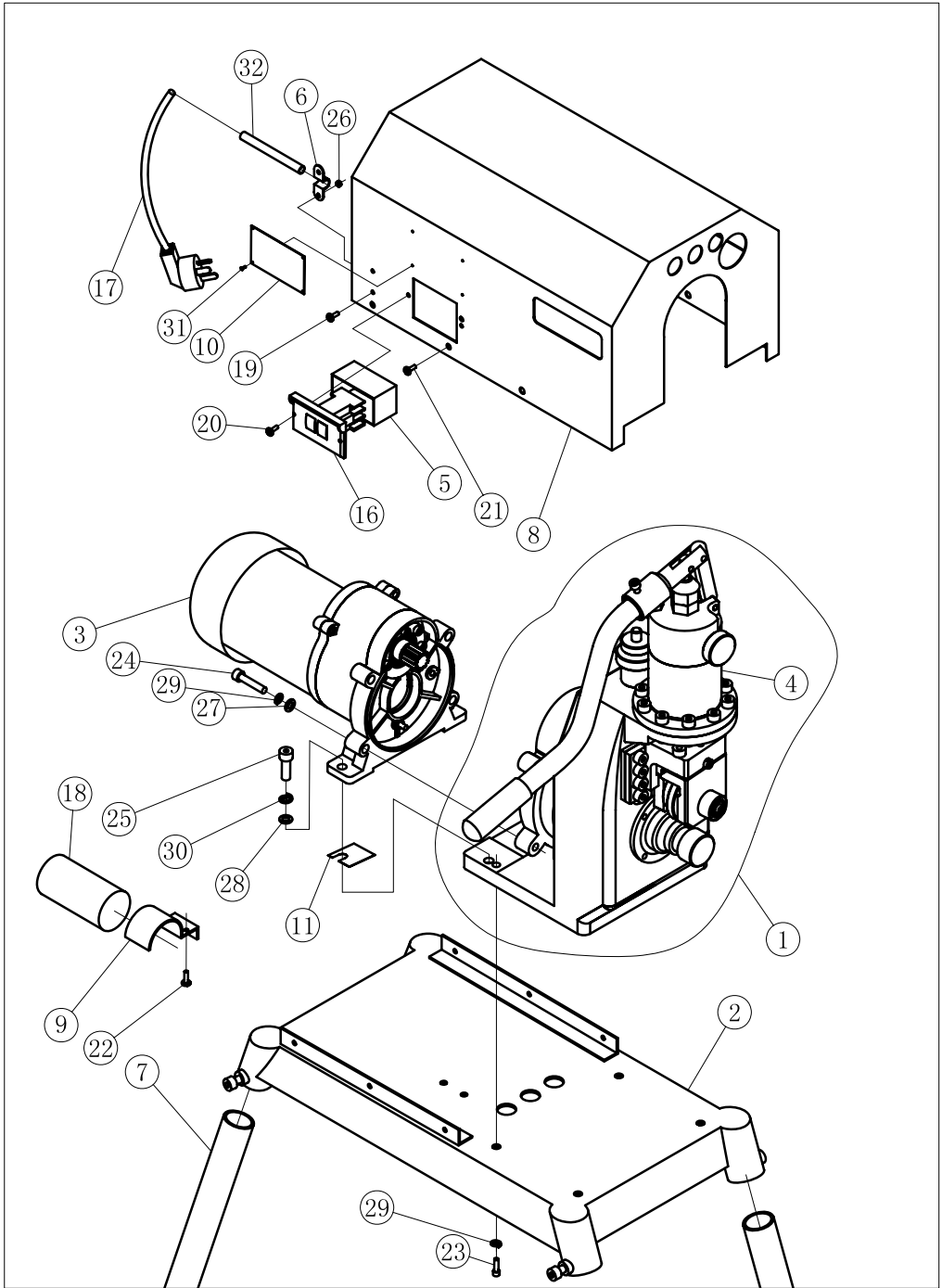
## 滚槽机零件手册

**PARTS MANUAL OF QINGYANG PIPE GROOVING MACHINE**

**MODEL GC200-AN / BN**

**成都中电锦江信息产业有限公司**

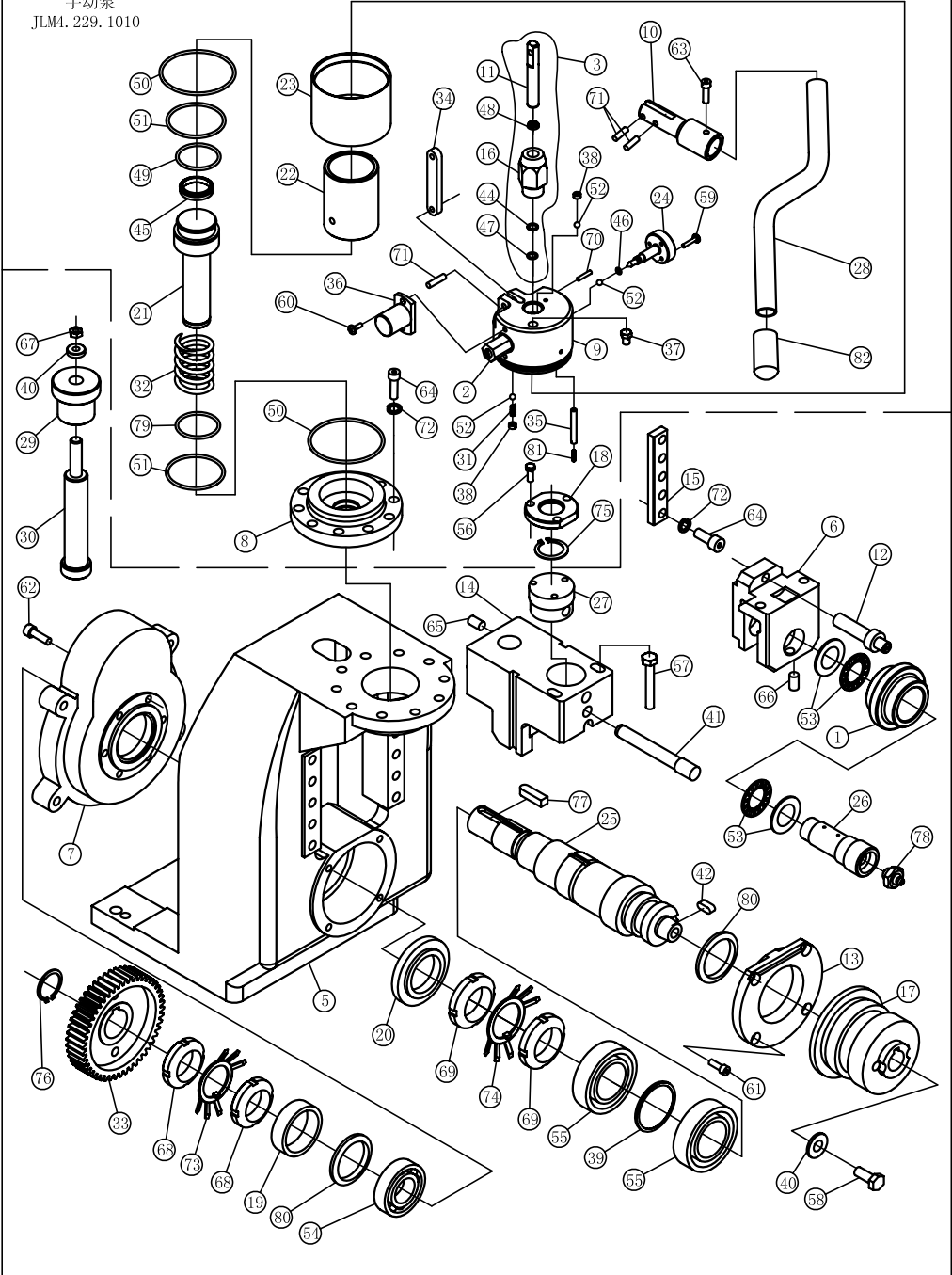
**CEC JINJIANG INFO INDUSTRIAL CO.,LTD.**



主体部分  
MAIN SECTION

序号 No.	零件编号 Code No.	零件名称	Name	数量 Qty	备注 Interchangeability
1	JLM4.033.1018	动力头	Working Head	1	
2	JLM4.135.1013	平台	Platform	1	
3	JLM4.220.1063	减速器	Gearbox With Motor	1	For GC200-AN
	JLM4.220.1064			1	For GC200-BN
4	JLM4.229.1010	手动泵	Manual Pump	1	
5	JLM7.800.1000	开关盒	Switch Box	1	
6	JLM8.044.035	支角	Clamp	1	
7	JLM8.626.1074	脚管	Leg	4	
8	JLM8.634.1007	外罩	Cover	1	
9	JLM8.667.1000	固定箍	Capacitor Clamp	1	For GC200-BN
10	JLM8.807.1049	铭牌	Nameplate	1	For GC200-AN
	JLM8.807.1050			1	For GC200-BN
11	JLM8.943.1000	垫片	Spacer	4	According to need
12					
13					
14					
15					
16		开关	Switch KA0-5	1	
17	GB5023.5	不重接插头电缆	Power Cord RVV3×1	1	For GC200-BN
		不重接插头电缆	Power Cord RVV4×1	1	For GC200-AN
18		电容器	Capacitor 250V 150μF	1	For GC200-BN
19	GB/T818	螺钉	Screw M4×10	2	
20	GB/T818	螺钉	Screw M4×16	2	
21	GB/T818	螺钉	Screw M6×10	6	
22	GB/T818	螺钉	Screw M6×25	2	For GC200-BN
23	GB/T70.1	内六角螺钉	Screw (S.H.C.S.) M8×20	4	
24	GB/T70.1	内六角螺钉	Screw (S.H.C.S.) M8×45	4	
25	GB/T70.1	内六角螺钉	Screw (S.H.C.S.) M10×30	2	
26	GB/T6170	螺母	Nut M4	5	
27	GB/T97.1	垫圈	Washer 8	4	
28	GB/T97.1	垫圈	Washer 10	2	
29	GB/T93	弹簧垫圈	Spring Washer 8	8	
30	GB/T93	弹簧垫圈	Spring Washer 10	2	
31	GB/T867	铝铆钉	Aluminium Rivet 2×6	6	
32	GB/T13527.2	聚氯乙烯套管(黑)	Conduit 10×100mm	1	
33					
34					
35					
36					
37					
38					
39					
40					
41					
42					
43					
44					
45					
46					
47					

手动泵  
JLM4. 229. 1010

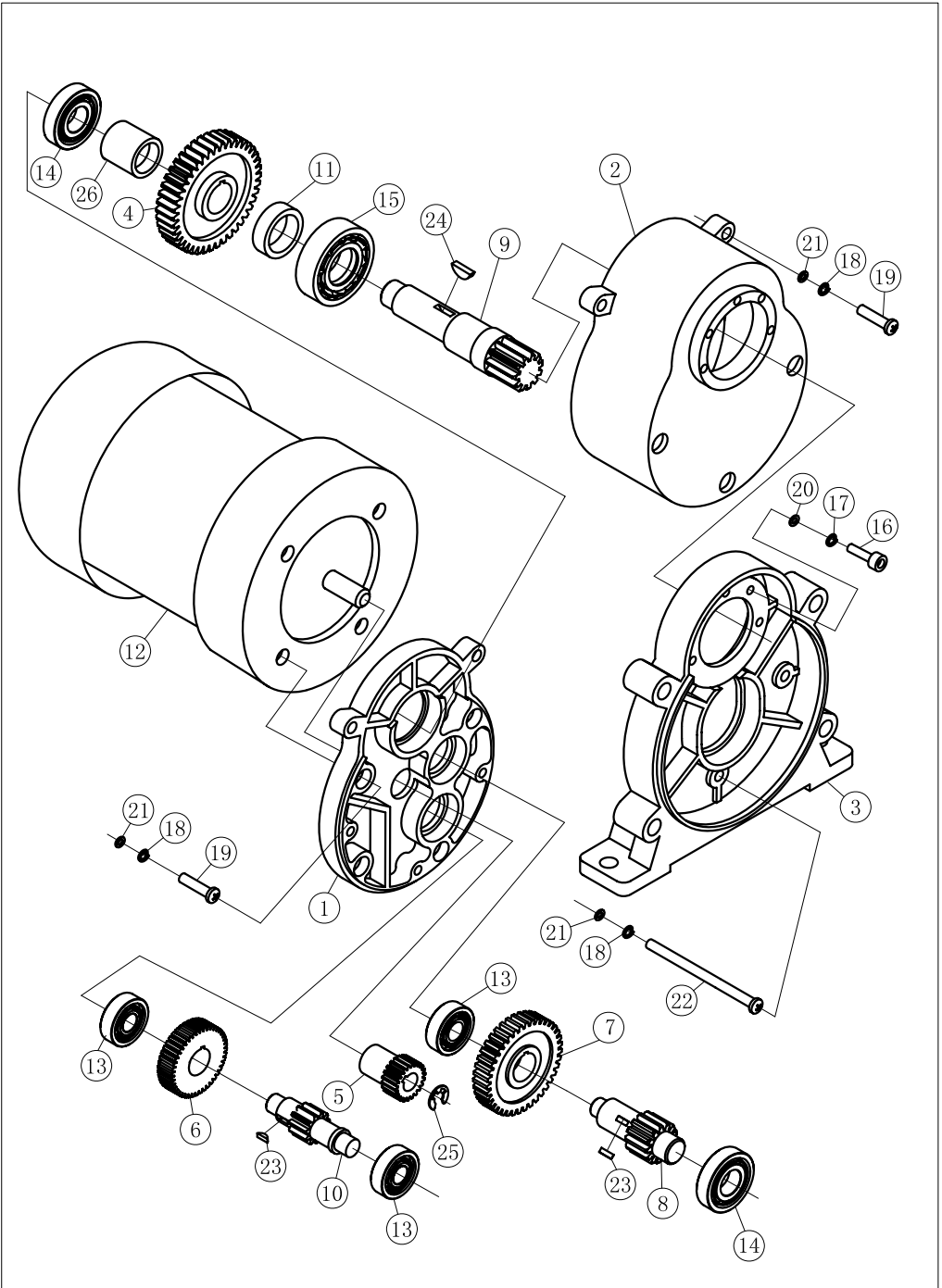


动力头部分  
WORKING HEAD SECTION

序号 No.	零件编号 Code No.	零件名称 Name	数量 Qty	备注 Interchangeability
1	JLM6.206.1033	压轮组合 Pinch Roller Assembly	1	For pipe:50-150
	JLM6.206.1032		1	For pipe:200
2	JLM6.276.1001	溢流阀 Relief Valve	1	
3	JLM6.290.1000	柱塞泵 Plunger Assembly	1	
4				
5	JLM8.007.1018	框架 Frame	1	
6	JLM8.008.1103	压轮架 Roller Housing	1	
7	JLM8.010.1015	前端盖 Front Cover	1	
8	JLM8.032.1020	泵座 Pump Base	1	
9	JLM8.035.1029	泵体 Pump Body	1	
10	JLM8.039.1008	摇臂 Rocker	1	
11	JLM8.039.1009	活塞杆 Piston Rod	1	
12	JLM8.039.1018	调整杆 Adjusting Screw Bolt	1	
13	JLM8.040.1085	端盖 End Cover	1	
14	JLM8.200.1031	滑座 Slide Block	1	
15	JLM8.201.1020	导轨 Guideway	2	
16	JLM8.225.1008	缸套 Cylinder	1	
17	JLM8.227.1018	滚花套 Knurl Sleeve	1	For pipe:200
18	JLM8.241.1010	安装环 Cover	1	
19	JLM8.242.1002	调整环 Sleeve	1	
20	JLM8.250.1002	挡圈 Ring	1	
21	JLM8.270.1018	活塞 Piston	1	
22	JLM8.271.1016	油缸 Cylinder	1	
23	JLM8.272.1009	油箱 Oil Case	1	
24	JLM8.273.1003	阀芯 Cock	1	
25	JLM8.310.1137	主轴 Spindle	1	
26	JLM8.310.1138	压轮轴 Shaft	1	
27	JLM8.319.1020	轴端 Shaft	1	
28	JLM8.333.1016	手柄 Operation Handle	1	
29	JLM8.337.1006	旋钮 Adjusting Knob	1	
30	JLM8.370.1045	丝杆 Screw Rod	1	
31	JLM8.382.1011	弹簧 Spring	1	
32	JLM8.382.1053	弹簧 Spring	1	
33	JLM8.419.1013	齿轮 Gear	1	
34	JLM8.610.1012	连接板 Link	1	
35	JLM8.626.1014	管 Syphon Tube	1	
36	JLM8.634.1005	罩 Cover	1	
37	JLM8.929.1000	螺栓 Hex Bolt	1	
38	JLM8.934.1008	螺套 Screw Sleeve	2	
39	JLM8.940.1085	垫圈 Washer	1	
40	JLM8.940.1086	垫圈 Washer	2	
41	JLM8.960.1037	销子 Pin	1	
42	JLM8.970.1014	键 Key	1	
43				
44	GB1235	挡圈 PTFE Ring 16×12×1.25(聚四氟,teflon)	3	
45	JB/ZQ4246	Yx型聚氨脂密封圈 Yx-Seal For Shaft D40	1	
46	GB/T3452.1	O型密封圈 O-Ring 5×1.9	1	
47	GB/T3452.1	O型密封圈 O-Ring 11.8×2.65	2	
48	GB/T10708.3	C型防尘密封圈 C-Rubber dust seal 12	1	
49	GB/T3452.1	O型密封圈 O-Ring 35.5×2.65	1	
50	GB/T3452.1	O型密封圈 O-Ring 67×2.65	2	
51	GB/T3452.1	O型密封圈 O-Ring 46.2×3.55	2	
52	GB/T308	钢球 Steel Ball 6	2	

转第6页

Turn be continued on page 6



减速器部分  
GEARBOX WITH MOTOR SECTION

序号 No.	零件编号 Code No.	零件名称 Name	数量 Qty	备注 Interchangeability
1	JLM8.004.002	上壳体 Rear Gearbox Cover	1	
2	JLM8.004.1012	下壳体 Front Gearbox Cover	1	
3	JLM8.010.1010	后端盖 Rear Cover	1	
4	JLM8.419.004	齿轮 Gear	1	
5	JLM8.438.002	齿轮 Gear	1	
6	JLM8.438.003	齿轮 Gear	1	
7	JLM8.439.007	齿轮 Gear	1	
8	JLM8.470.000	轴齿轮 Gear Shaft	1	
9	JLM8.470.1002	轴齿轮 Gear Shaft	1	
10	JLM8.472.1008	轴齿轮 Gear Shaft	1	
11	JLM8.940.1022	垫圈 Sleeve	1	
12		电动机 Motor YS7132A(S) 380V 1.1KW 2800r/min	1	For GC200-AN
		电动机 Motor YC7142T(S) 220V 750W 2800r/min	1	For GC200-BN
13	GB/T276	轴承 Ball Bearing 6201	3	
14	GB/T276	轴承 Ball Bearing 6203	2	
15	GB/T276	轴承 Ball Bearing 6205	1	
16	GB/T70.1	内六角螺钉 Screw(S.H.C.S.) M5×20	5	
17	GB/T93	弹簧垫圈 Spring Washer 5	5	
18	GB/T93	弹簧垫圈 Spring Washer 6	9	
19	GB/T818	螺钉 Screw M6×25	6	
20	GB/T848	垫圈 Washer 5	5	
21	GB/T848	垫圈 Washer 6	9	
22	GB/T818	螺钉 Screw M6×90	3	
23	GB/T1099	半圆键 Key 3×3.7×10	2	
24	GB/T1099	半圆键 Key 4×6.5×16	1	
25	GB/T896	挡圈 E-clip 9	1	
26	JLM8.220.1074	套 Sleeve	1	
接第4页 To be continued from page 4				
53	GB/T4605	推力滚针轴承 Bearing(T.N.) AXK3552	2	With spacer
54	GB/T297	锥度滚子轴承 Tapered Roller Bearing 32007	1	
55	GB/T297	锥度滚子轴承 Tapered Roller Bearing 32009	2	
56	GB/T5782	螺栓 Hex Bolt M6×12	3	
57	GB/T5782	螺栓 Hex Bolt M8×65	2	
58	GB/T5782	螺栓 Hex Bolt M10×16	1	
59	GB/T818	螺钉 Screw M4×20	1	
60	GB/T818	螺钉 Screw M6×10	1	
61	GB/T70.1	内六角螺钉 Screw (S.H.C.S.) M6×12	4	
62	GB/T70.1	内六角螺钉 Screw (S.H.C.S.) M6×20	6	
63	GB/T70.1	内六角螺钉 Screw (S.H.C.S.) M6×35	1	
64	GB/T70.1	内六角螺钉 Screw (S.H.C.S.) M8×25	20	
65	GB/T78	紧定螺钉 Screw M8×10	1	
66	GB/T79	紧定螺钉 Screw M8×12	1	
67	GB/T6170	螺母 Nut M10	1	
68	GB/T810	圆螺母 Nut M30×1.5	2	
69	GB/T810	圆螺母 Nut M45×1.5	2	
70	GB/T119.2	销 Pin 4u8×20	1	
71	GB/T119.2	销 Pin 6u8×25	3	
72	GB/T93	弹簧垫圈 Spring Washer 8	20	
73	GB/T858	止动垫圈 Stop Washer 30	1	
74	GB/T858	止动垫圈 Stop Washer 45	1	
75	GB/T894.1	挡圈 Circlip For Shaft 20	1	
76	GB/T894.1	挡圈 Circlip For Shaft 26	1	
77	GB/T1096	键 Key C8×28	1	
78	JB/T7940.1	直通式压注油杯 Oil Cup M10×1	1	
79	GB/T3452.1	O型密封圈 O-Ring 20×2.65	1	
80	FJ314	毛毡 Felt ≠4×5×130	2	
81	GB/T5330	铜丝网 Filtering Screen GF3W0.4/0.224	1	
82		手柄套 Handle Sleeve φ22	1	

成都中电锦江信息产业有限公司  
厂 址：四川成都市建设北路三段 168 号  
通讯地址：成都市 107 信箱 41 分箱  
电 话：(028)84394452  
传 真：(028)84113787  
邮 编：610051  
<http://www.jec784.com>  
E-mail:cdjjqy@163.com

CEC JINJIANG INFO INDUSTRIAL CO.,LTD.  
Address:No.168, Jian She Bei Road,Chengdu, China  
Tel: 86-28-84394405,84394227  
Fax: 86-28-84125748  
<http://www.jec784.com>  
E-mail:jjemc784@vip.163.com

2015 年 12 月制