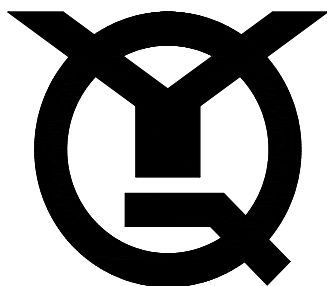


如有更改事宜恕不另行通知

The parts companion is subject to change without notice.



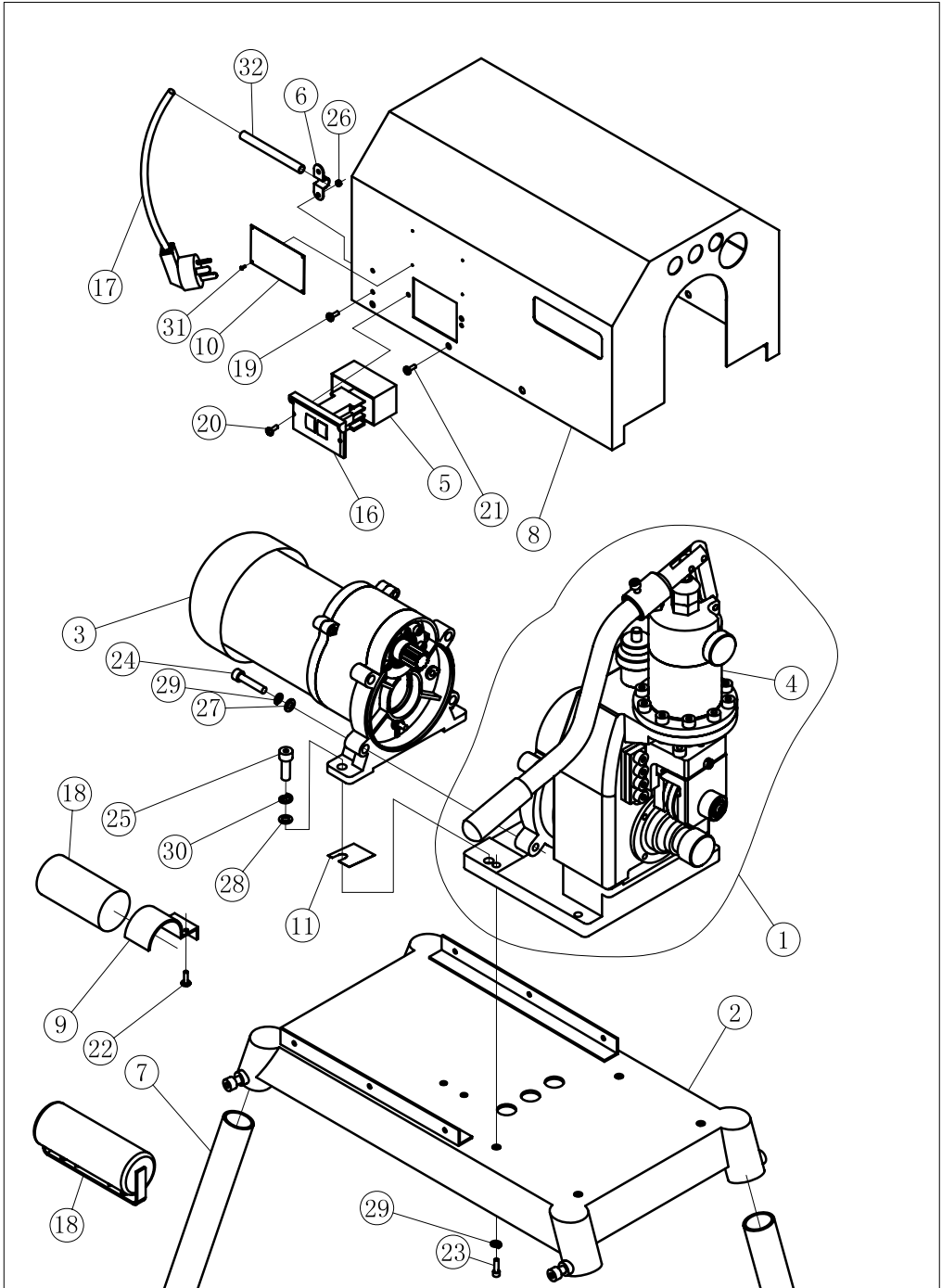
滚槽机零件手册

PARTS MANUAL OF QINGYANG PIPE GROOVING MACHINE

MODEL GC150-AN / BN / CN

成都中电锦江信息产业有限公司

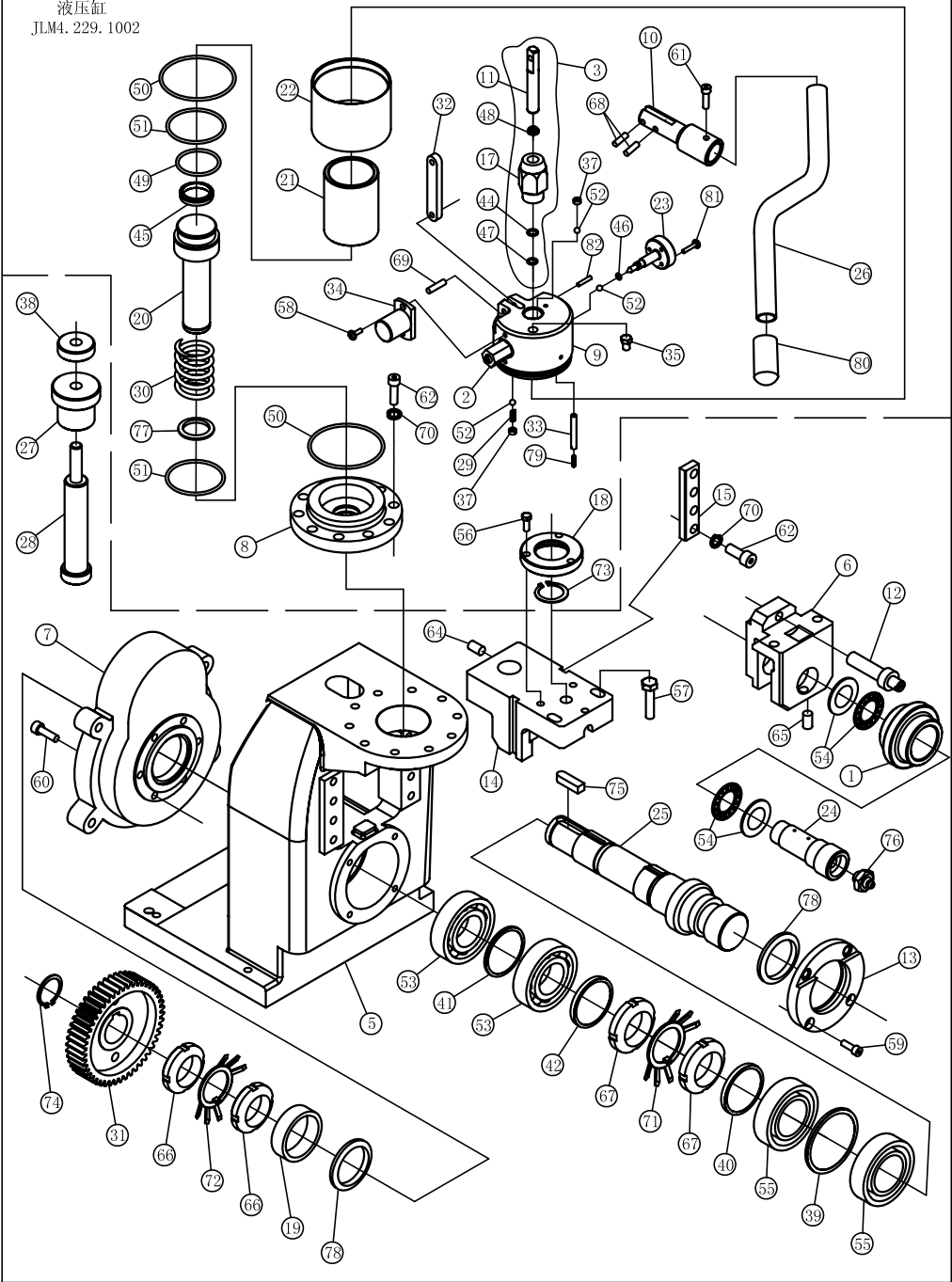
CEC JINJIANG INFO INDUSTRIAL CO.,LTD.



主体部分
MAIN SECTION

序号 No.	零件编号 Code No.	零件名称 Name			数量 Qty	备注 Interchangeability
1	JLM4.033.1012	动力头	Working Head		1	
2	JLM4.135.1001	平台	Platform		1	
3	JLM4.220.1063	减速器	Gearbox With Motor		1	For GC150-AN
	JLM4.220.1064				1	For GC150-BN
	JLM4.220.1061					For GC150-CN
4	JLM4.229.1002	液压缸	Manual Pump		1	
5	JLM7.800.1000	开关盒	Switch Box		1	
6	JLM8.044.035	支角	Clamp		1	
7	JLM8.626.1028	脚管	Leg		4	
8	JLM8.634.1007	外罩	Cover		1	
9	JLM8.667.1000	固定箍	Capacitor Clamp		1	For GC150-CN
10	JLM8.807.1124	铭牌	Nameplate		1	For GC150-AN
	JLM8.807.1125				1	For GC150-BN
	JLM8.807.1126					For GC150-CN
11	JLM8.943.1000	垫片	Spacer		4	According to need
12						
13						
14						
15						
16		开关	Switch	KA0-5	1	
17	GB5023.5	不重接插头电缆	Power Cord	RVV3×1	1	For GC150-BN、CN
		不重接插头电缆	Power Cord	RVV4×1	1	For GC150-AN
18	JLM5.612.1000	电容器	Capacitor	250V 150μF	1	For GC150-BN
		电容器	Capacitor	250V 100μF	1	For GC150-CN
19	GB/T818	螺钉	Screw	M4×10	2	
20	GB/T818	螺钉	Screw	M4×16	2	
21	GB/T818	螺钉	Screw	M6×10	6	
22	GB/T818	螺钉	Screw	M4×12	2	For GC150-CN
23	GB/T70.1	内六角螺钉	Screw (S.H.C.S.)	M8×20	4	
24	GB/T70.1	内六角螺钉	Screw (S.H.C.S.)	M8×45	4	
25	GB/T70.1	内六角螺钉	Screw (S.H.C.S.)	M10×30	2	
26	GB/T6170	螺母	Nut	M4	5	
27	GB/T97.1	垫圈	Washer	8	4	
28	GB/T97.1	垫圈	Washer	10	2	
29	GB/T93	弹簧垫圈	Spring Washer	8	8	
30	GB/T93	弹簧垫圈	Spring Washer	10	2	
31	GB/T867	铝铆钉	Aluminium Rivet	2×6	4	
32	GB/T13527.2	聚氯乙烯套管(黑)	Conduit	10×100mm	1	
33						
34						
35						
36						
37						
38						
39						
40						

液压缸
JLM4. 229. 1002

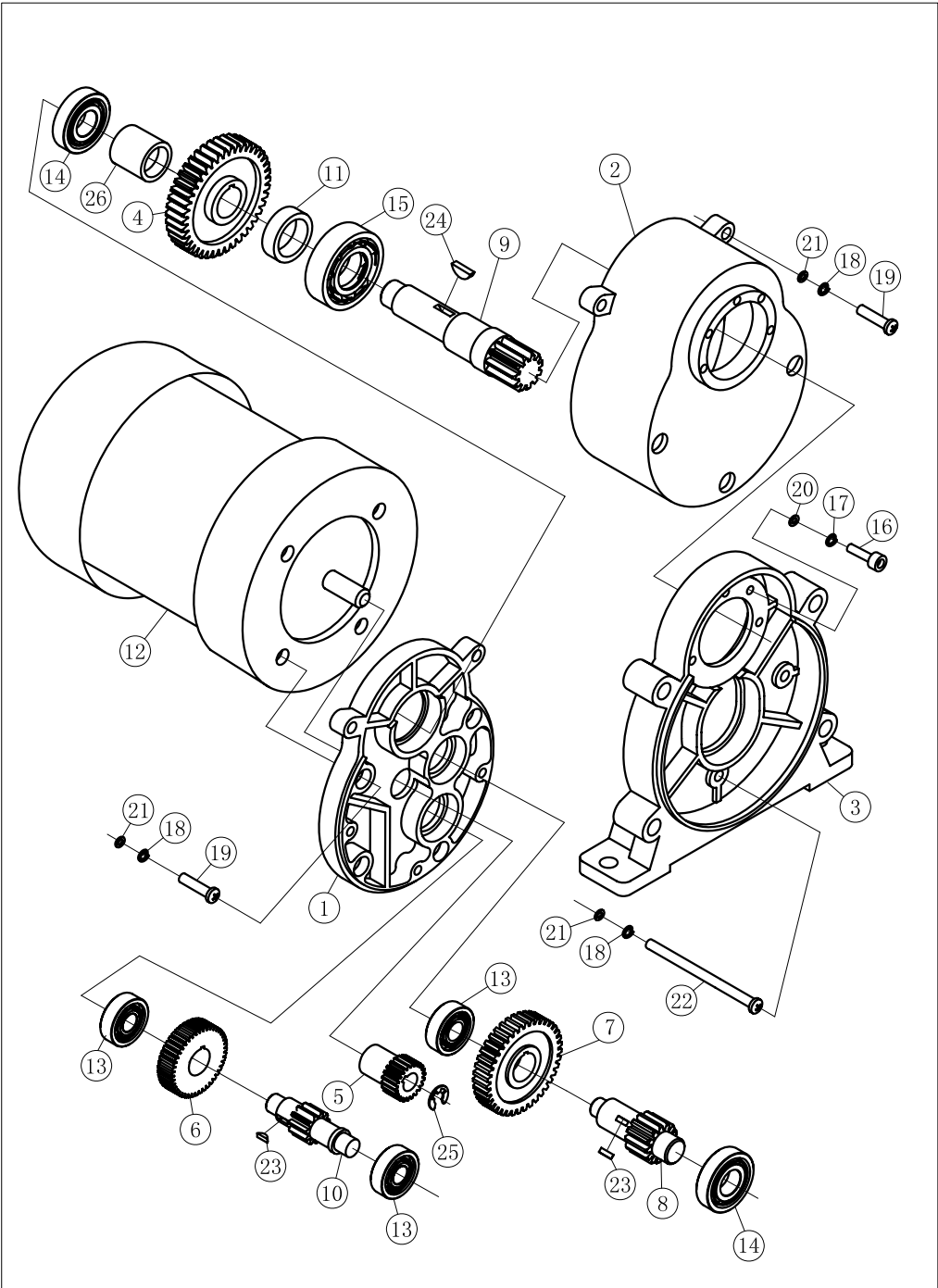


动力头部分
WORKING HEAD SECTION

序号 No.	零件编号 Code No.	零件名称 Name	数量 Qty	备注 Interchangeability
1	JLM6.206.1011	压轮组合 Pinch Roller Assembly	1	
2	JLM6.276.1001	溢流阀 Relief Valve	1	
3	JLM6.290.1000	柱塞泵 Plunger Assembly	1	
4				
5	JLM8.007.1015	框架 Frame	1	
6	JLM8.008.1090	压轮架 Roller Housing	1	
7	JLM8.010.1015	前端盖 Front Cover	1	
8	JLM8.032.1006	泵座 Pump Base	1	
9	JLM8.035.1005	泵体 Pump Body	1	
10	JLM8.039.1008	摇臂 Rocker	1	
11	JLM8.039.1009	活塞杆 Piston Rod	1	
12	JLM8.039.1018	调整杆 Adjusting Screw Bolt	1	
13	JLM8.040.1080	端盖 End Cover	1	
14	JLM8.200.1026	滑座 Slide Block	1	
15	JLM8.201.1018	导轨 Guideway	2	
16				
17	JLM8.225.1008	缸套 Cylinder	1	
18	JLM8.241.1010	安装环 Cover	1	
19	JLM8.242.1002	调整环 Sleeve	1	
20	JLM8.270.1003	活塞 Piston	1	
21	JLM8.271.1003	油缸 Cylinder	1	
22	JLM8.272.1003	油箱 Oil Case	1	
23	JLM8.273.1003	阀芯 Cock	1	
24	JLM8.310.1052	压轮轴 Shaft	1	
25	JLM8.310.1125	主轴 Spindle	1	
26	JLM8.333.1016	手柄 Operation Handle	1	
27	JLM8.337.1002	旋钮 Adjusting Knob	1	
28	JLM8.370.1016	丝杆 Screw Rod	1	
29	JLM8.382.1011	弹簧 Spring	1	
30	JLM8.382.1016	弹簧 Spring	1	
31	JLM8.419.1013	齿轮 Gear	1	
32	JLM8.610.1012	连接板 Link	1	
33	JLM8.626.1014	管 Syphon Tube	1	
34	JLM8.634.1005	罩 Cover	1	
35	JLM8.929.1000	螺栓 Hex Bolt	1	
36				
37	JLM8.934.1008	螺套 Screw Sleeve	2	
38	JLM8.934.1010	螺母 Screw	1	
39	JLM8.940.1076	垫圈 Washer	1	
40	JLM8.940.1077	垫圈 Washer	1	
41	JLM8.940.1078	垫圈 Washer	1	
42	JLM8.940.1079	垫圈 Washer	1	
43				
44	GB1235	挡圈 PTFE Ring 16×12×1.25(聚四氟 teflon)	3	
45	JB/ZQ4246	Yx型聚氨脂密封圈 Yx-Seal For Shaft D32	1	
46	GB1235	O型密封圈 O-Ring 8×1.9	1	
47	GB/T3452.1	O型密封圈 O-Ring 11.8×2.65	2	
48	GB/T10708.3	C型防尘密封圈 C-Rubber dust seal 12	1	
49	GB1235	O型密封圈 O-Ring 32×3.1	1	
50	GB1235	O型密封圈 O-Ring 70×3.1	2	
51	GB3452.1	O型密封圈 O-Ring 37.5×3.55	2	
52	GB/T308	钢球 Steel Ball 6	2	

转第6页

Turn be continued on page 6



减速器部分
GEARBOX WITH MOTOR SECTION

序号 No.	零件编号 No.	Code	零件名称 Name	数量 Qty	备注 Interchangeability
1	JLM8.004.002		上壳体 Rear Gearbox Cover	1	
2	JLM8.004.1012		下壳体 Front Gearbox Cover	1	
3	JLM8.010.1010		后端盖 Rear Cover	1	
4	JLM8.419.004		齿轮 Gear	1	
5	JLM8.438.002		齿轮 Gear	1	
6	JLM8.438.003		齿轮 Gear	1	
7	JLM8.439.007		齿轮 Gear	1	
8	JLM8.470.000		轴齿轮 Gear Shaft	1	
9	JLM8.470.1002		轴齿轮 Gear Shaft	1	
10	JLM8.472.1008		轴齿轮 Gear Shaft	1	
11	JLM8.940.1022		垫圈 Sleeve	1	
12			电动机 Motor YS7132A(S) 380V 1.1KW 2800r/min	1	For GC150-AN
			电动机 Motor YC7142T(S) 220V 750W 2800r/min	1	For GC150-BN
			电动机 Motor YDQ120-2AT 110V 750W 3300r/min	1	For GC150-CN
13	GB/T276		轴承 Ball Bearing 6201	3	
14	GB/T276		轴承 Ball Bearing 6203	2	
15	GB/T276		轴承 Ball Bearing 6205	1	
16	GB/T70.1		内六角螺钉 Screw(S.H.C.S.) M5×20	5	
17	GB/T93		弹簧垫圈 Spring Washer 5	5	
18	GB/T93		弹簧垫圈 Spring Washer 6	9	
19	GB/T818		螺钉 Screw M6×25	6	
20	GB/T848		垫圈 Washer 5	5	
21	GB/T848		垫圈 Washer 6	9	
22	GB/T818		螺钉 Screw M6×90	3	
23	GB/T1099		半圆键 Key 3×3.7×10	2	
24	GB/T1099		半圆键 Key 4×6.5×16	1	
25	GB/T896		挡圈 E-clip 9	1	
26	JLM8.220.1074		套 Sleeve	1	
接第4页 To be continued from page 4					
53	GB/T276		轴承 Ball Bearing 6206	2	
54	GB/T4605		推力滚针轴承 Bearing(T.N.) 889105	2	With spacer
55	GB/T297		锥度滚子轴承 Tapered Roller Bearing 32008	2	
56	GB/T5782		螺栓 Hex Bolt M6×12	3	
57	GB/T5782		螺栓 Hex Bolt M8×40	2	
58	GB/T818		螺钉 Screw M6×10	2	
59	GB/T70.1		内六角螺钉 Screw (S.H.C.S.) M6×12	4	
60	GB/T70.1		内六角螺钉 Screw (S.H.C.S.) M6×20	6	
61	GB/T70.1		内六角螺钉 Screw (S.H.C.S.) M6×35	1	
62	GB/T70.1		内六角螺钉 Screw (S.H.C.S.) M8×25	18	
63					
64	GB/T78		紧定螺钉 Screw M8×10	1	
65	GB/T79		紧定螺钉 Screw M8×12	1	
66	GB/T810		圆螺母 Nut M30×1.5	2	
67	GB/T810		圆螺母 Nut M39×1.5	2	
68	GB/T119.2		销 Pin D6×20	2	
69	GB/T119.2		销 Pin D6×25	1	
70	GB/T93		弹簧垫圈 Spring Washer 8	18	
71	GB/T858		止动垫圈 Stop Washer 30	1	
72	GB/T858		止动垫圈 Stop Washer 39	1	
73	GB/T894.1		挡圈 Circlip For Shaft 20	1	
74	GB/T894.1		挡圈 Circlip For Shaft 26	1	
75	GB/T1096		键 Key C8×28	1	
76	JB/T7940.1		直通式压注油杯 Oil Cup M10×1	1	
77	FJ314		毛毡 Felt ≠4×5×98	1	
78	FJ314		毛毡 Felt ≠4×5×130	2	
79	GB5330		铜丝网 Filtering Screen 0.4/0.224	1	
80			手柄套 Handle Sleeve 22	1	
81	GB/T818		螺钉 Screw M4×20	1	
82	GB/T119.2		销 Pin D4×20	1	

成都中电锦江信息产业有限公司
厂 址：四川成都市建设北路三段 168 号
通讯地址：成都市 107 信箱 41 分箱
电 话：(028)84394452
传 真：(028)84113787
邮 编：610051
<http://www.jec784.com>
E-mail:cdjjqy@163.com

CEC JINJIANG INFO INDUSTRIAL CO.,LTD.
Address:No.168, Jian She Bei Road,Chengdu, China
Tel: 86-28-84394405,84394227
Fax: 86-28-84125748
<http://www.jec784.com>
E-mail:jjemc784@vip.163.com

2015 年 12 月制