



PhotoElectric Smoke Detector SLV-E(J)



Hochiki's new Photoelectric Detector incorporates a redesigned smoke chamber with 'Flat Response Technology' enabling it to be equally sensitive to a wider range of combustible materials, thus removing the need for Ionisation Detectors in the majority of applications.

- New Chamber design to reduce unwanted alarms.
- Flat response smoke chamber.
- Small mesh size prevents ingress of insects.
- Fully compatible with existing conventional panels.
- Twin alarm LEDs on the head for 360° viewing.



Product Features

The Photoelectric smoke Detector has been designed with a unique 'Flat Response Technology', enabling the detector to be equally sensitive to a much a wider range of combustible materials.

The 'Flat Response' detection chamber consists of an LED and photo-diode arrangement. The 'Flat Response' detection chamber minimises unwanted alarms by two methods:

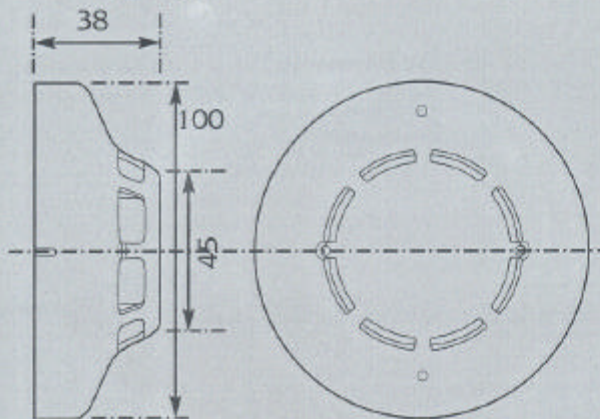
- The chamber is designed so that light emitted by the LED cannot normally reach the photo-diode, the new physical construction of the SLV-E(J) minimises external influences like dust, vapour, insects etc from causing unwanted alarms.
- The 'Flat Response' detection chamber has also enabled the detector threshold level to be increased, thereby improving the signal to noise ratio and reducing susceptibility to false alarms.

Product Operation

When smoke particles enter the chamber the light is scattered and some of this light falls on the photo-diode. This is converted into an electronic signal, filtered and then used to trigger the internal latching circuit. The chamber is easily removed or replaced for cleaning and utilises a unique baffle design which allows smoke to enter the chamber whilst keeping out ambient light.

The SLV-E(J) Photoelectric smoke Detector eliminates the need to use Ionisation Detectors in the majority of applications, this makes system design easier and overcomes the cleaning and disposal problems associated with Ionisation Detectors.

Dimensions (mm)



Specification

Ordering code	SLV-E(J)
Disposable chamber	YES
Operating voltage	15-30 Vdc (Nominal rating 24Vdc)
Standby current	35µA
Current in alarm state	40mA at 24Vdc
Ambient temperature range	-10°C to +50°C
Storage temperature range	-30°C to +60°C
Humidity (Max)	95%RH -Non Condensing at +40°C
Colour	Ivory White
Case Material	ABS
Dimensions (mm)	
Diameter	100
Height with Base	46
Compatible bases	YBN-R/4C, YBO-R/4C with Remote Indicator Output
Base Fixing centres	48mm through to 74mm
Approvals	LPCB (EN54-7:2000)
Weight (incl. base)	73g (116g)

Applications

The SLV-E(J) Photoelectric Smoke Detector with 'Flat Response Technology' is suited to a wide range of commercial applications. It can be installed in areas where traditionally both Photoelectric and Ionisation Detectors have been used, thereby providing a simpler solution for system designers and minimising the future disposal cost.

It has been designed for commercial applications where high reliability, resistance to unwanted alarms and aesthetics are important aspects to the building owner as well as protecting the environment.

Other Products

- Fixed Temperature Heat Detector (DFJ-60/90E)
- Rate of Rise Heat Detector (DCD-1E/2E and R1E)
- Fixed Temperature Waterproof Heat Detector (DFG-60BLK)
- Range of Bases



PART No. HC01/ISS1/JAN04

HOCHIKI CORPORATION
10-43, KAMIOSAKI 2-CHROME
SHINAGAWA-KU, TOKYO 141-8660, JAPAN
TELEPHONE: 81-3(3444)4116
FACSIMILE: 81-3(3444)4167
EMAIL: overseas@hochiki.co.jp
www.hochiki.co.jp

HOCHIKI CORPORATION
SINGAPORE BRANCH OFFICE
629 ALJUNIED ROAD #03-16
CITTECH INDUSTRIAL BUILDING, SINGAPORE, 389838
TELEPHONE: 65-6841-9728
FACSIMILE: 65-6841-9781
EMAIL: hochiki@singnet.com.sg

HOCHIKI
World Class Leaders in Fire Detection
since 1918



Quality System Certificate
No. 117 Assessed to BS EN
ISO 9001:2000 for Hochiki Corporation
Manufactured Products

Environmental Certificate
Assessed to ISO 14001
by JCCA for Hochiki Machine Park.