

FPV10R

USB Finger Vein Scanner

High accuracy
of the verification



Overview

FPV10R is a fingerprint and finger vein combined scanner. In mathematics, it has index level accuracy improvement. With a single scanning, it does two verification of both fingerprint and the finger vein. It has the capability to scan both surface signature of the skin (fingerprints) and the inner side (finger vein), and offers reliable solution to block fake attempts to the system.

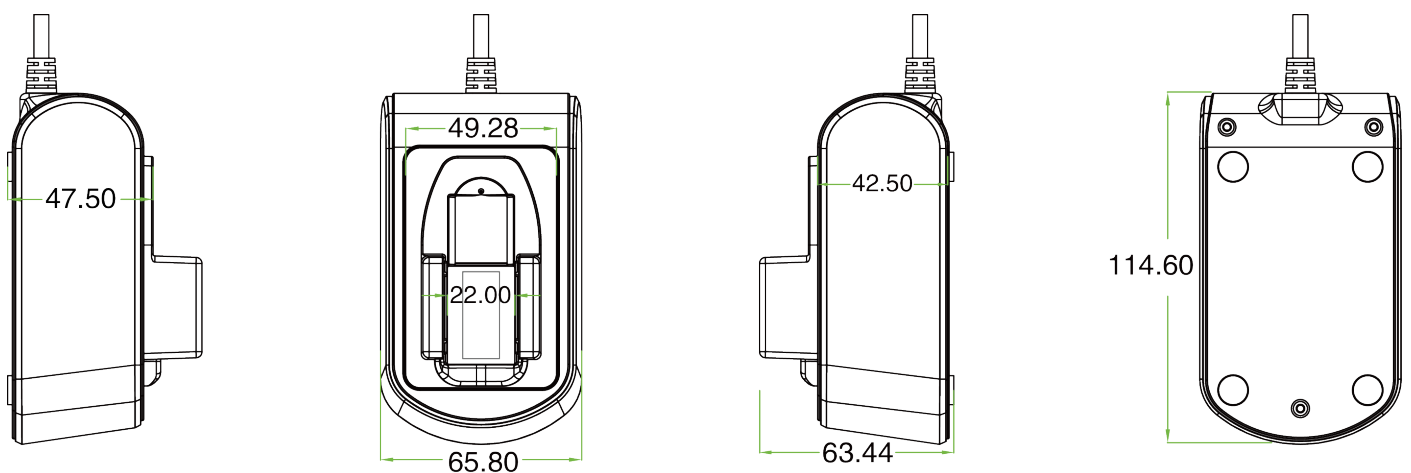
Features

- One time verification to take two biology signatures
- High accuracy of the verification
- Quick recognition of dry, wet and rough fingerprints and finger vein
- High Speed USB 2.0

Specifications

Material	Optical
Effective Collection Area	13.24*15.7mm
Image Size	256*360 pixel / 240*320 pixel
Image Resolution	500dpi / 300dpi
Gray Level	256
Interface Socket	USB Type A
Communication	USB 2.0 / USB 1.1
Operating System	Windows / Linux / Android
Power Voltage	4.8V ~ 5.5V(USB)
Operating Environment	-20 °C ~ +50 °C; 90% r.h.
Dimension	114.6*65.8*63.4mm(L*W*TH)

Configuration



ZKTECO CO.,LTD.
 E-mail: sales@zkteco.com
 www.zkteco.com

© Copyright 2017. ZKTECO CO.,LTD. ZKTeco Logo is a registered trademark of ZKTeco or a related company. All other product and company names mentioned are used for identification purposes only and may be the trademarks of their respective owners. All specifications are subject to change without notice. All rights reserved.

