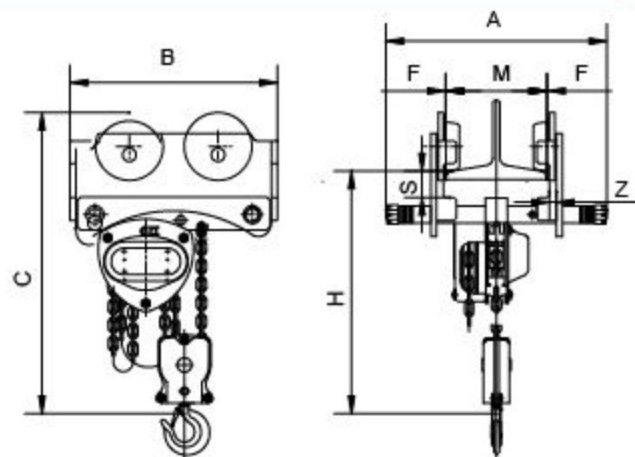


With 0.5T~3T single-chain manual hoist



With 5T double-chain manual hoist

i-Lift No.		2210701	2210702	2210703	2210704	2210705	2210706
Model		CN05	CN10	CN15	CN20	CN30	CN50
Rated Capacity	kg(lb.)	500(1100)	1000(2200)	1500(3300)	2000(4400)	3000(6600)	5000(11000)
Test Load	(KN)	7.35	14.71	22.06	29.42	44.13	61.29
Min. Radius Curve	mm(in.)	850(33.5)	1000(40)	1100(44)	1100(44)	1300(51.2)	1400(55.1)
Dimensions	Aa mm(in.)	236(9.3)	303(11.9)	310(12.2)	317(12.6)	333(13.1)	322(12.7)
	Ab mm(in.)	286(11.3)	405(15.9)	412(16.2)	419(16.5)	435(17.1)	457(18)
	B mm(in.)	258(10.1)	292(11.5)	319(12.6)	358(14.1)	434(17.1)	448(17.6)
	C mm(in.)	385(15.2)	451(17.8)	489(19.3)	551(21.7)	629(24.7)	741(29.1)
	H mm(in.)	299(11.8)	331(13)	383(15.1)	411(16.2)	460.5(18.1)	613(24.1)
	S mm(in.)	30(1.2)	35(1.4)	38(1.5)	38(1.5)	40(1.6)	42(1.7)
	Z mm(in.)	7.5(0.3)	10.5(0.4)	10.5(0.4)	12(0.4)	14(0.6)	15(0.6)
	F mm(in.)	1.5~3(0.1-0.1)	1.5~3(0.1-0.1)	1.5~3(0.1-0.1)	1.5~3(0.1-0.1)	1.5~3(0.1-0.1)	1.5~3(0.1-0.1)
I-Beam Width Range	Ma mm(in.)	50~152(1.8-6)	64~203(2.5-8)	74~203(2.9-8)	88~203(3.5-8)	100~203(4-8)	114~203(4.5-8)
	Mb mm(in.)	50~203(1.8-8)	64~305(2.5-12)	74~305(2.9-12)	88~305(3.5-12)	100~305(4-12)	114~305(4.5-12)
Net Weight	b kg(lb.)	15(33)	23.3(51.3)	33(72.6)	45.5(100)	61(134.2)	87.5(192.5)
	c kg(lb.)	17(37.4)	25.3(55.7)	35(77)	47.5(104.5)	65(143)	90.5(199.1)