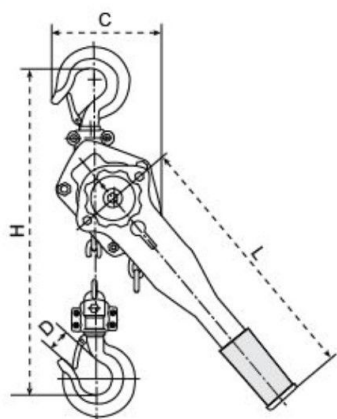
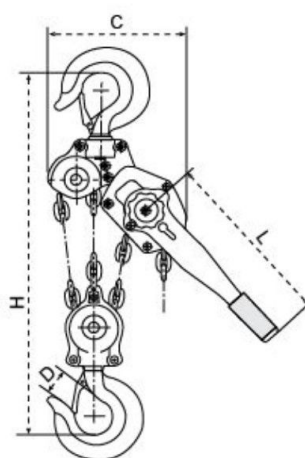
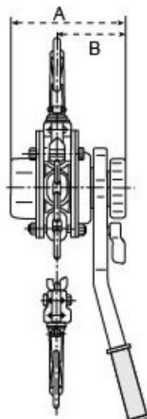


# ⚠ SAFETY INSTRUCTIONS

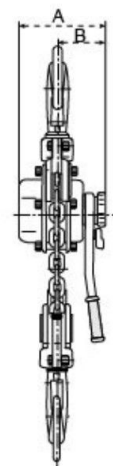
- \* Do not exceed Working Load Limit.
- \* Make sure that the end stop is connected to the chain.
- \* Keep the load chain lubricated at all times.
- \* Before operating, inspect the load chain for damages.
- \* Before operating, inspect the upper and lower swivel hooks for signs of deformations and check that the safety latches are attached.
- \* Do not lengthen the handle with a pipe in order to exercise greater force.



0.5- 6 tonne



9 tonne



i-Lift No.		2210201	2210202	2210203	2210204	2210205	2210206
Model		HLB50A	HLB75A	HLB150A	HLB300A	HLB600A	HLB900A
Rated Capacity	kg(lb.)	500(1100)	750(1650)	1500(3300)	3000(6600)	6000(13200)	9
Standard Lifting Height	mm(in.)	1500(60)	1500(60)	1500(60)	1500(60)	1500(60)	1500(60)
Test Load	(KN)	6.25	11	22.5	37.5	75	112.5
Effort to Rated Capacity	(N)	280	140	220	320	340	360
No. of Load Chain Falls		1	1	1	1	2	3
Diameter of Load Chain	mm(in.)	Φ5(0.2)	Φ6(0.2)	Φ8(0.3)	Φ10(0.4)	Φ10(0.4)	Φ10(0.4)
Dimensions	A mm(in.)	116(4.6)	145(5.7)	175(6.9)	203(8)	203(8)	203(8)
	B mm(in.)	86(3.4)	86(3.4)	100(4)	118(4.6)	118(4.6)	118(4.6)
	C mm(in.)	115(4.5)	122(4.7)	130(5.1)	150(6)	205(8)	316
	D mm(in.)	30(1.2)	37(1.5)	45(1.8)	50(2)	64(2.5)	85
	Hmin mm(in.)	306(12)	320(12.6)	380(15)	480(18.9)	620(24.4)	700
	L mm(in.)	280(11)	280(11)	410(16.1)	410(16.1)	410(16.1)	410(16.1)
Net Weight	kg(lb.)	5(11)	7.5(16.5)	11.5(25.3)	21(46.2)	31.5(69.3)	47(103.4)
Extra Weight per Extra Meter of Extra Lift	kg(lb.)	0.64(1.4)	0.8(1.8)	1.4(3.1)	2.2(4.8)	4.4(9.7)	6.6(14.5)